

# DUNHAM-BUSH®

Form No: MS0109B

Products That Perform...By People Who Care

## CHILLED WATER FANCOIL UNITS

150 Through 1950 CFM

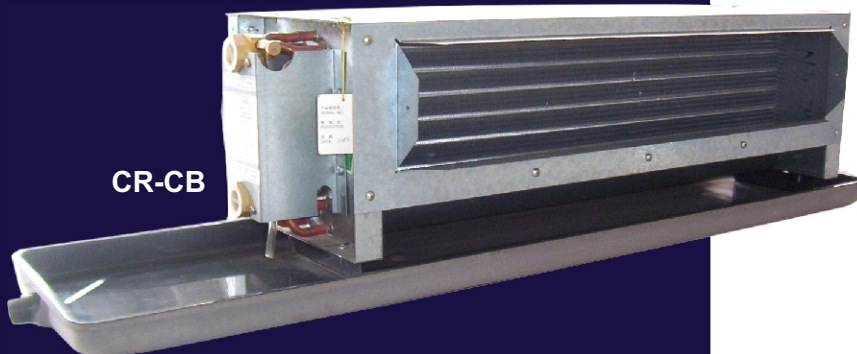
50 Hz



CR-CC



CR-CE



CR-CB

**CR Series**  
**CRT Series**  
**CRH Series**

## **FEATURES AND SPECIFICATIONS**

### **GENERAL DESCRIPTION**

The Dunham-Bush CR fancoil units are of low noise, light weight, compact and low height construction. These fancoils are specially designed to cater for today's low ceiling height residence, offices, light commercial applications and new or existing building air-conditioning. All fancoil units are completely factory packaged with blower fan, motor, cooling coil, circuited and terminated pipe connections. They are completely factory assembled and ready for field installation.

### **CASING**

All fancoil units are constructed from minimum 1.0 mm thick galvanized steel. The casings of ceiling exposed and floor exposed models are bonderized and coated with oven-baked powder paint. All casing panel supports are formed or bent to provide a sturdy and rigid construction which eliminates "drumming" and assures "vibration-free" operation. Casing panels are internally insulated with 1/2" thick x 3 lb. per cu. ft linacoustic fiberglass. Casing panels are easily removable for access to internal components for service and repair.

### **MOTORS**

Motors are permanent split capacitor type with built-in thermal overload protection. Vibration transmission is eliminated by the use of resilient motor mount. Motors are supplied with permanently lubricated, maintenance-free sealed ball bearings. Each motor is provided with a minimum of 3 speed selection. Motor leads are terminated to outside casing with terminal cover for easy electrical connection.

### **FAN WHEELS AND HOUSINGS**

The light weight double-width, double inlet, forward-curved centrifugal fan wheels are dynamically balanced to provide low sound levels, vibration-free operation, even air distribution and minimum power requirement.

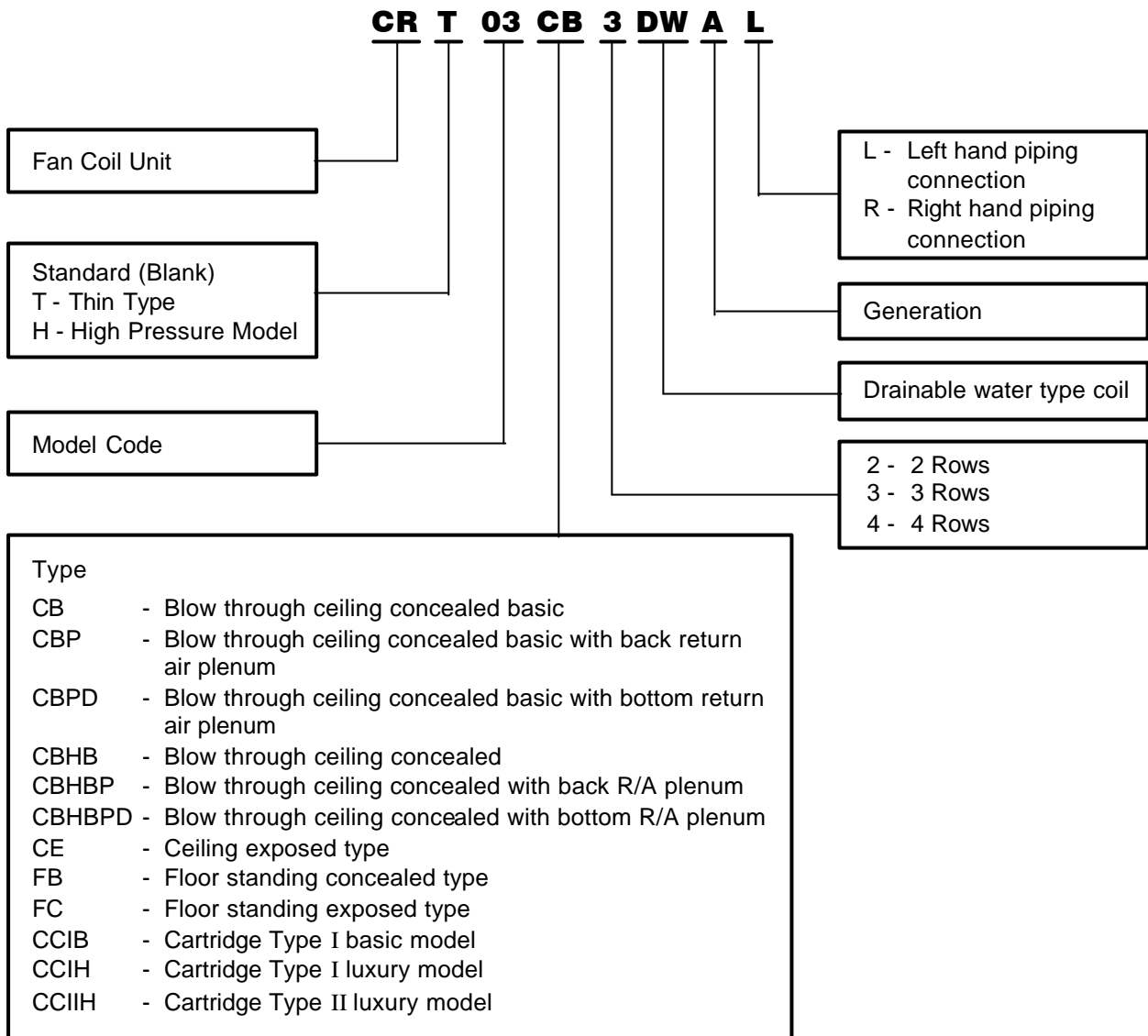
### **COILS**

All cooling coils consist of staggered rows of 3/8" O.D. copper tubes of minimum wall thickness 0.014 inch, mechanically expanded into die-formed corrugated aluminium fins of thickness 0.006 inch. All coils are leak tested at 350 psig air pressure and are suitable for up to 232 psig working pressure.

### **CONDENSATE DRAIN PAN**

All condensate drain pans are constructed from 1.0mm thick stamped steel plate. The drain pan is coated with oven-baked powder paint and externally insulated with PE foam insulation.

## UNIT NOMENCLATURE



**Notes:**

1. Left Hand or Right Hand piping connection is determined by viewing from return air.
2. Drain pan piping connection will always be on the same side with evaporator pipe connection.
3. Standard Model (CR) includes: CB/ CBP/ CBPD/ CBHB/ CBHBP/ CBHBPD/ CE/ FB/ FC/ CCIB/ CCIH/ CCIH (2 or 3 rows)
4. Thin Type Model (CRT) includes: CB/ CBP/ CBPD/ CBHB/ CBHBP/ CBHBPD (2 or 3 rows)
5. High Pressure Model (CRH) includes: CBP/ CBPD (2, 3 or 4 rows)
6. Unit height for CRT series is 220mm.
7. CRH series is designed for higher static pressure.
8. All CC units require condensate pump for drainage from the drain pan. The luxury models CCIH and CCIH are complete with remote control, microprocessor and alarm system. The luxury CCIH models are supplied with condensate pump.

## SPECIFICATION

### 1.) CR

Model	Air Flow (CFM)			Noise Level dB (A)	Capacity					Blower Qty.	Motor Qty.	Unit Weight (Lbs)					
	High Speed	Medium Speed	Low Speed		Sensible Cooling (MBH)	Total Cooling (MBH)	Heating (MBH)	Water Flow (GPM)	Pressure Drop (Ft. Wg.)			CB HB	CBP CBPD HBP HBPD	FB	FC		
2 Row CB CBP CBPD FB FC	02	254	204	152	34.0	4.5	6.6	10.7	1.46	1.52	1	1	28.2	39.7	41.9	68.8	
	03	371	297	222	35.0	6.0	9.0	14.6	2.00	3.93	2	1	35.3	47.4	50.0	80.7	
	04	488	390	293	38.4	7.4	10.5	16.9	2.31	5.99	2	1	37.5	51.1	54.0	86.4	
	05	565	452	339	42.0	9.8	13.6	22.1	3.03	10.02	2	1	40.3	55.3	58.4	93.0	
	06	671	537	403	44.0	11.7	16.6	26.9	3.68	9.03	2	1	43.7	60.2	63.5	100.5	
	07	853	684	512	42.0	13.5	19.2	30.9	4.25	6.09	3	2	54.9	75.6	79.8	126.5	
	08	1048	838	629	44.0	15.2	21.7	35.0	4.83	4.68	4	2	66.1	88.8	93.7	145.1	
	10	1114	891	668	47.3	18.8	27.5	44.2	6.10	8.26	4	2	69.4	93.0	98.1	151.7	
	12	1401	1121	841	51.6	22.5	32.7	52.6	7.26	11.64	4	2	76.1	103.6	109.3	168.2	
	2 Row CBHB CBHBP CBHBPD	02	344	275	206	37.5	6.3	8.0	12.7	1.46	1.52	1	1	28.2	39.7	-	-
		03	471	377	283	40.5	8.0	9.5	16.1	2.00	3.93	2	1	35.3	47.4	-	-
		04	557	446	334	42.4	10.0	12.6	20.5	2.31	5.99	2	1	37.5	51.1	-	-
05		600	480	360	43.0	10.3	14.9	23.8	3.03	10.02	2	1	40.3	55.3	-	-	
06		706	565	424	45.5	12.3	18.6	29.0	3.68	9.03	2	1	43.7	60.2	-	-	
07		912	730	550	43.0	22.2	21.1	33.5	4.25	7.22	3	2	54.9	75.6	-	-	
08		1130	904	678	47.0	19.8	23.7	38.1	4.83	4.68	4	2	66.1	88.8	-	-	
10		1405	1124	843	49.3	22.8	28.6	46.1	6.10	8.26	4	2	69.4	93.0	-	-	
12		1674	1339	1004	53.6	26.7	33.6	54.1	7.26	11.64	4	2	76.1	103.6	-	-	
3 Row CB CBP CBPD FB FC		02	247	198	148	34.0	5.5	8.3	13.5	1.85	3.59	1	1	30.2	41.7	43.9	70.8
		03	359	287	215	35.0	8.5	12.7	20.6	2.84	7.63	2	1	37.5	49.6	52.2	82.9
		04	471	377	283	38.4	10.2	14.5	23.6	3.22	5.69	2	1	39.7	53.4	56.2	88.6
	05	553	443	332	42.0	11.0	18.0	29.1	3.99	8.76	2	1	43.0	58.0	61.1	95.7	
	06	653	523	392	44.0	14.2	21.5	34.8	4.77	8.21	2	1	47.4	62.8	66.1	103.2	
	07	812	648	484	42.0	15.9	27.0	43.6	6.01	5.23	3	2	59.7	79.1	83.1	129.9	
	08	971	777	583	44.0	17.6	32.6	52.5	7.24	3.61	4	2	70.5	93.3	100.3	149.5	
	10	1089	871	653	47.3	23.3	36.8	59.3	8.18	6.19	4	2	73.9	97.4	102.5	156.1	
	12	1354	1083	812	51.6	27.4	43.4	70.0	9.65	8.73	4	2	81.6	109.1	114.9	173.7	
	3 Row CBHB CBHBP CBHBPD	02	341	273	205	37.5	7.5	10.6	17.1	1.85	3.59	1	1	30.2	41.7	-	-
		03	468	374	281	40.5	9.5	12.7	21.6	2.84	7.63	2	1	37.5	49.6	-	-
		04	553	443	332	42.4	11.9	16.8	27.2	3.22	5.69	2	1	39.7	53.4	-	-
05		589	471	353	43.0	13.1	19.2	30.4	3.99	8.76	2	1	43.0	58.0	-	-	
06		689	551	413	45.5	15.5	22.8	36.0	4.77	8.21	2	1	47.4	62.8	-	-	
07		889	709	532	43.0	18.5	27.7	44.7	6.15	5.82	3	2	59.7	79.1	-	-	
08		1089	871	653	47.0	21.6	33.9	54.0	7.24	3.61	4	2	70.5	93.3	-	-	
10		1354	1083	812	49.3	27.1	38.2	61.6	8.18	6.19	4	2	73.9	97.4	-	-	
12		1613	1290	968	53.6	31.9	44.9	72.3	9.65	8.73	4	2	81.6	109.1	-	-	

### 2.) CR-CC

Model	Air Flow (CFM)			Noise Level dB (A)	Capacity				Blower Qty.	Motor Qty.	Unit Weight (Lbs)	
	High Speed	Medium Speed	Low Speed		Total Cooling (MBH)	Heating (MBH)	Water Flow (GPM)	Pressure Drop (Ft. Wg.)			I - B I - H	II - H
03	300	241	182	37	10.2	18.1	2.26	2.46	1	1	66	60
04	400	318	241	38	11.9	19.8	2.65	4.49	1	1	86	79
05	500	400	300	43	15.4	25.0	3.41	5.90	1	1	101	95
06	612	489	365	44	18.2	30.9	4.04	9.12	1	1	101	95
08	753	600	453	44	22.5	37.1	5.01	3.02	1	1	112	106
10	1001	801	600	46	25.3	41.4	5.61	5.05	1	1	130	123
12	1201	959	718	48	29.5	48.5	6.55	5.84	1	1	130	123
14	1477	1177	889	50	34.5	59.0	7.65	7.05	1	1	130	123

Notes (CR, CR-CC) :

1. Motor is 220V/1Ph/50Hz 3 speed motor.
2. Air volume is defined as external pressure 0 inch WG.
3. Cooling capacity is based on water inlet/outlet temperature of 44.6°F / 53.6°F and entering air temperature 80.6°Fdb / 67.1°Fwb.
4. Heating capacity is based on water entering temperature of 140°F and entering air temperature 70°F.
5. Noise data based on high speed.

### 3.) CR-CE

Model	Air Flow (CFM)			Noise Level dB (A)	Capacity					Blower Qty.	Motor Qty.	Unit Weight (Lbs)
	High Speed	Medium Speed	Low Speed		Sensible Cooling (MBH)	Total Cooling (MBH)	Heating (MBH)	Water Flow (GPM)	Pressure Drop (Ft. Wg.)			
03	359	287	215	35	8.1	12.1	19.6	2.68	7.97	2	1	60
04	471	377	283	38	10.2	14.4	23.6	3.20	6.12	2	1	71
06	653	523	392	42	14.2	21.5	34.8	4.77	8.71	2	1	77
08	971	777	583	44	16.9	31.4	50.5	6.97	3.95	4	2	95
10	1089	871	653	47	23.4	36.8	58.6	8.18	6.86	4	2	110

### 4.) CRT

Model	Air Flow (CFM)			Noise Level dB (A)			Capacity					Blower Qty.	Motor Qty.	Unit Weight (Lbs)		
	High Speed	Medium Speed	Low Speed	High Speed	Medium Speed	Low Speed	Sensible Cooling (MBH)	Total Cooling (MBH)	Heating (MBH)	Water Flow (GPM)	Pressure Drop (Ft. Wg.)			CB HB	CBP CBPD HBP HBDP	
2 Row CB CBP CBPD	02	228	202	179	36	30	28	4.5	4.9	10.0	1.09	1.47	1	1	26	36
	03	323	278	228	35	29	27	6.2	6.9	13.5	1.53	3.11	2	1	32	44
	04	436	370	283	40	34	29	8.4	9.5	17.9	2.11	5.82	2	1	34	47
	05	485	351	257	42	36	30	9.6	11.1	20.1	2.45	8.33	2	1	37	51
2 Row CBHB CBHBP CBHBPD	02	261	207	157	39	33	30	4.9	5.2	10.7	1.18	2.04	1	1	26	36
	03	372	291	214	38	33	30	6.9	7.5	14.7	1.67	3.65	2	1	32	44
	04	480	371	285	41	36	31	9.0	10.0	18.9	2.22	6.49	2	1	34	47
	05	539	445	334	45	38	32	10.4	11.8	21.6	2.62	9.07	2	1	37	51
3 Row CB CBP CBPD	02	217	191	160	35	30	27	4.9	5.9	11.7	1.30	1.04	1	1	28	38
	03	306	268	200	36	29	26	6.9	8.4	16.0	1.86	2.04	2	1	35	46
	04	414	360	261	39	34	30	9.4	11.6	21.3	2.57	4.05	2	1	37	49
	05	454	332	238	41	35	31	10.5	13.3	23.6	2.95	5.72	2	1	40	54
3 Row CBHB CBHBP CBHBPD	02	245	198	148	39	32	29	5.3	6.3	12.5	1.39	1.20	1	1	28	38
	03	346	264	193	39	31	28	7.5	9.0	17.3	2.00	2.44	2	1	35	46
	04	459	348	254	41	34	29	10.2	12.4	22.9	2.75	4.45	2	1	37	49
	05	532	421	315	44	36	30	12.1	15.1	26.9	3.35	6.33	2	1	40	54

Notes (CR-CE, CRT) :

- 1.) Motor is 220V/1Ph/50Hz 3 speed motor.
- 2.) Air volume is defined as external pressure 0 inch WG.
- 3.) Cooling capacity is based on water inlet/outlet temperature of 44.6°F / 53.6°F and entering air temperature 80.6°Fdb / 67.1°Fwb.
- 4.) Heating capacity is based on water entering temperature of 140°F and entering air temperature 70°F.
- 5.) Noise data for CR-CE model is based on high speed.

### 5.) CRH

Model	External Static Pressure (In. Wg.)	Air Flow (CFM)				Noise Level dB (A)				Capacity					Blower Qty.	Motor Qty.	Unit Weight (Lbs.)	
		High Speed	High/Med. Speed	Med. Speed	Low Speed	High Speed	High/Med. Speed	Med. Speed	Low Speed	Total Cooling (MBH)	Sensible Cooling (MBH)	Heating (MBH)	Water Flow (GPM)	Pressure Drop (Ft. Wg.)				
2 Row CBP CBPD	08	0.44	883	706	571	-	58	54	51	50	19.3	17.1	35.0	4.28	3.88	2	1	84
		0.32	-	883	677	565	-	-	-	-	-	-	-	-	-	-	-	-
	14	0.52	1413	1177	1001	-	60	56	53	51	32.1	27.8	59.3	7.12	8.03	2	1	110
		0.40	-	1413	1118	1001	-	-	-	-	-	-	-	-	-	-	-	-
	18	0.66	1942	1707	1295	-	62	60	57	55	46.3	38.9	82.1	10.29	17.54	3	2	143
		0.50	-	1942	1530	1295	-	-	-	-	-	-	-	-	-	-	-	-
3 Row CBP CBPD	08	0.40	883	706	571	-	58	54	51	50	28.3	21.5	47.9	6.28	10.37	2	1	88
		0.28	-	883	677	565	-	-	-	-	-	-	-	-	-	-	-	-
	14	0.46	1413	1177	1001	-	60	56	53	51	40.1	32.1	72.8	8.89	6.49	2	1	115
		0.34	-	1413	1118	1001	-	-	-	-	-	-	-	-	-	-	-	-
	18	0.60	1942	1707	1295	-	62	60	57	55	59.1	45.7	100.9	13.12	14.66	3	2	152
		0.44	-	1942	1530	1295	-	-	-	-	-	-	-	-	-	-	-	-
4 Row CBP CBPD	08	0.36	883	706	571	-	58	54	51	50	34.5	24.3	54.0	7.66	17.77	2	1	95
		0.24	-	883	677	565	-	-	-	-	-	-	-	-	-	-	-	-
	14	0.40	1413	1177	1001	-	60	56	53	51	46.0	35.0	82.0	10.21	5.72	2	1	121
		0.28	-	1413	1118	1001	-	-	-	-	-	-	-	-	-	-	-	-
	18	0.54	1942	1707	1295	-	62	60	57	55	67.9	49.9	113.5	15.07	12.82	3	2	161
		0.38	-	1942	1530	1295	-	-	-	-	-	-	-	-	-	-	-	-

Notes :

- 1.) Motor is 220V / 1Ph / 50Hz 4 speed motor.
- 2.) Cooling capacity based on water inlet / outlet temperature of 44.6°F / 53.6°F and entering air temperature 80.6°Fdb / 67.1°Fwb.
- 3.) Heating capacity based on water entering temperature of 140°F entering air temperature 70°F.

## AIR FLOW (CFM) VS EXTERNAL STATIC PRESSURE (in. wg.)

### 1.) CR SERIES

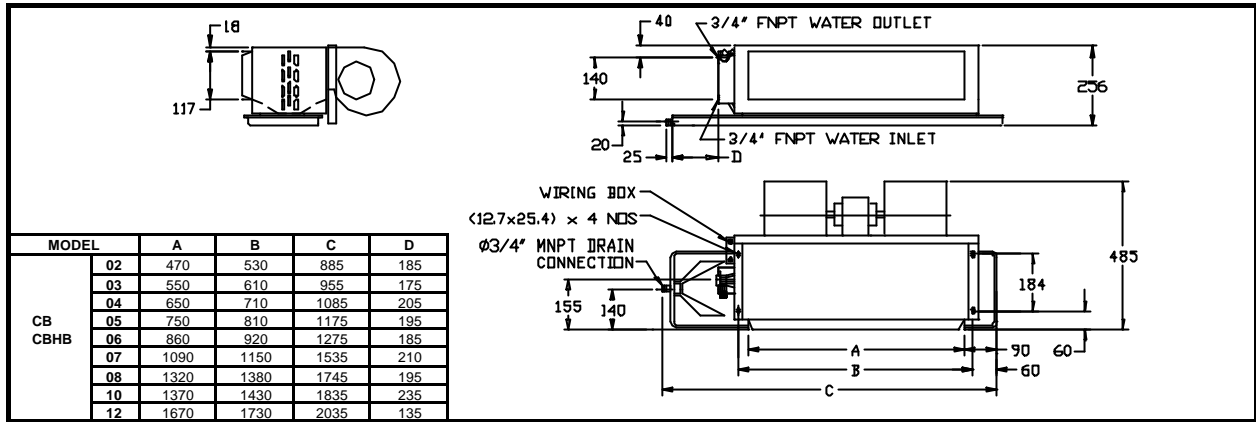
Model		External Static Pressure (In. wg.)					
		0	0.04	0.08	0.12	0.16	0.20
2 Row CB CBP CBPD FB FC	02	254	213	178	-	-	-
	03	371	341	306	224	-	-
	04	488	411	341	259	-	-
	05	565	530	506	471	441	394
	06	671	630	612	577	553	524
	07	855	812	777	752	689	642
	08	1048	1001	942	883	824	765
	10	1114	1071	1022	960	892	845
2 Row CBHB CBHBP CBHBPD	02	344	315	285	247	222	182
	03	471	447	418	380	359	330
	04	557	539	504	469	441	418
	05	600	589	568	527	500	465
	06	706	683	647	624	600	577
	07	917	889	849	818	774	727
	08	1130	1101	1060	1018	951	883
	10	1405	1370	1363	1330	1304	1267
3 Row CB CBP CBPD FB FC	02	247	206	171	-	-	-
	03	359	318	283	215	-	-
	04	471	394	330	247	-	-
	05	553	512	483	447	406	371
	06	653	609	589	553	524	492
	07	806	768	731	686	642	592
	08	971	930	883	824	765	695
	10	1089	1045	994	925	852	792
3 Row CBHB CBHBP CBHBPD	02	341	303	274	235	206	153
	03	468	430	400	362	333	277
	04	553	518	483	447	406	371
	05	589	565	542	506	477	441
	06	689	659	624	589	565	530
	07	889	853	792	753	718	671
	08	1089	1060	971	918	877	824
	10	1354	1319	1304	1254	1204	1183
12	1613	1583	1495	1442	1401	1348	

### 2.) CRT SERIES

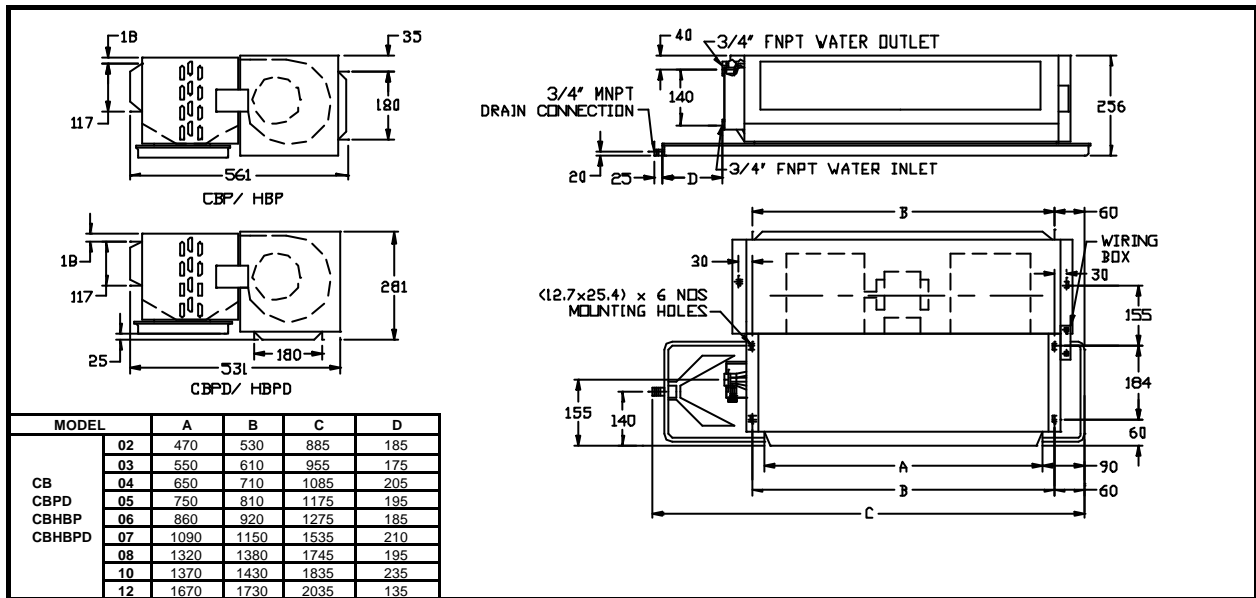
Model		External Static Pressure (In. wg.)					
		0	0.04	0.08	0.12	0.16	0.20
2 Row CB CBP CBPD	02	228	202	171	-	-	-
	03	323	285	247	207	-	-
	04	436	386	333	273	213	-
	05	485	450	403	357	307	257
2 Row CBHB CBHBP CBHBPD	02	261	243	228	217	193	172
	03	372	346	330	304	278	238
	04	480	454	426	400	377	346
	05	539	525	504	478	457	436
3 Row CB CBP CBPD	02	217	188	157	-	-	-
	03	306	264	225	181	-	-
	04	414	381	317	254	193	-
	05	454	420	371	325	277	225
3 Row CBHB CBHBP CBHBPD	02	245	238	219	212	193	165
	03	346	313	290	266	235	207
	04	459	424	400	365	337	311
	05	532	511	480	461	431	419

## DIMENSIONAL DATA

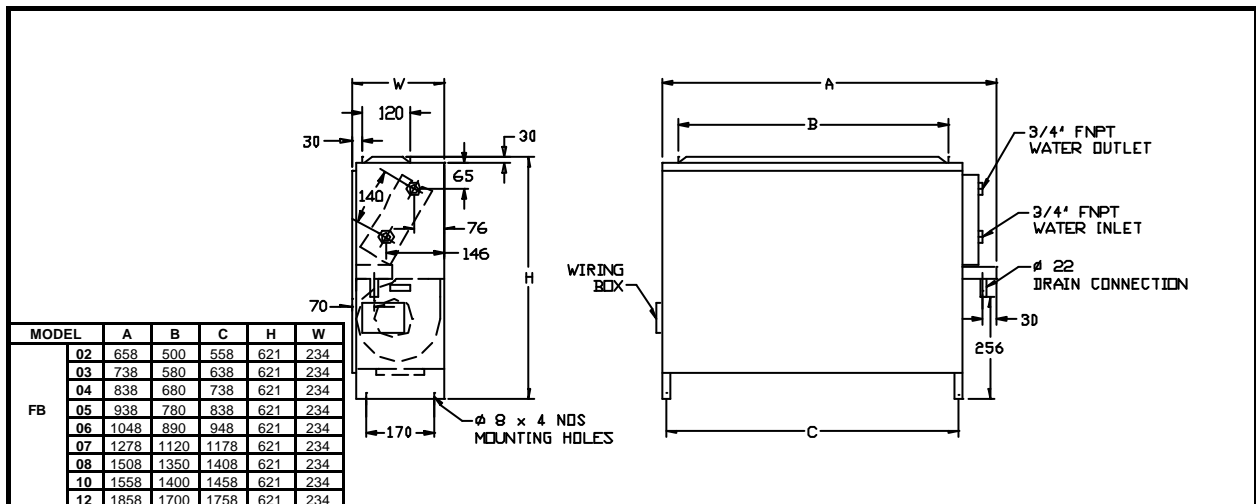
### 1.) CR-CB/ CBHB



### 2.) CR-CBP/ CBPD/ CBHBP/ CBHBPD

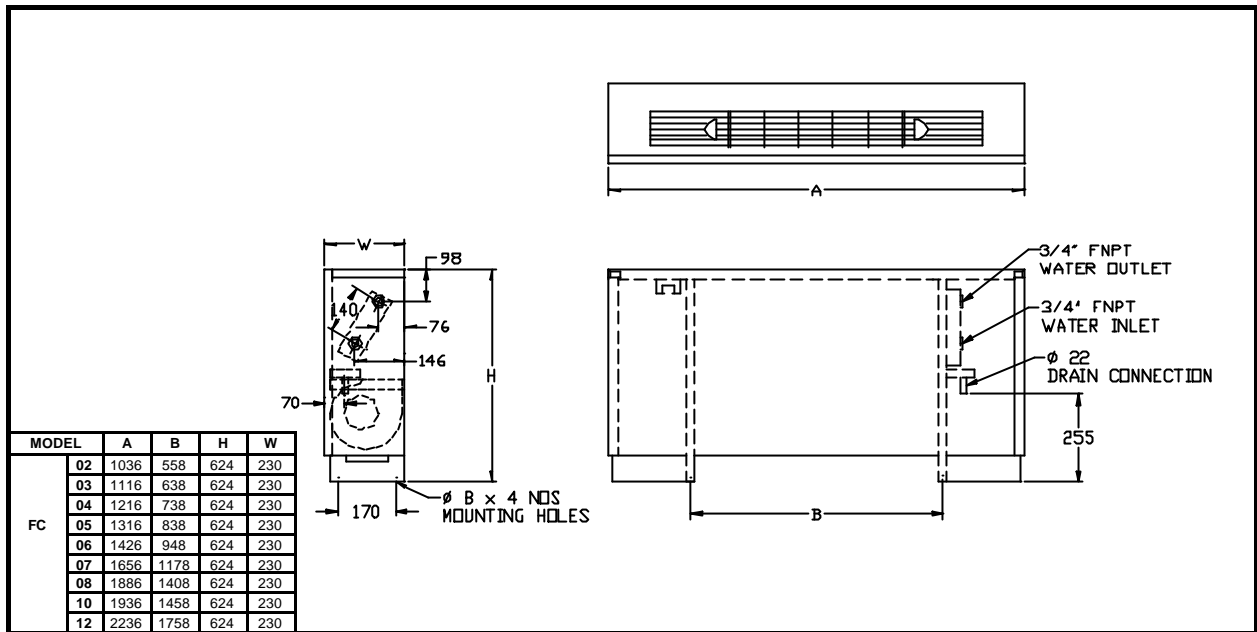


### 3.) CR-FB

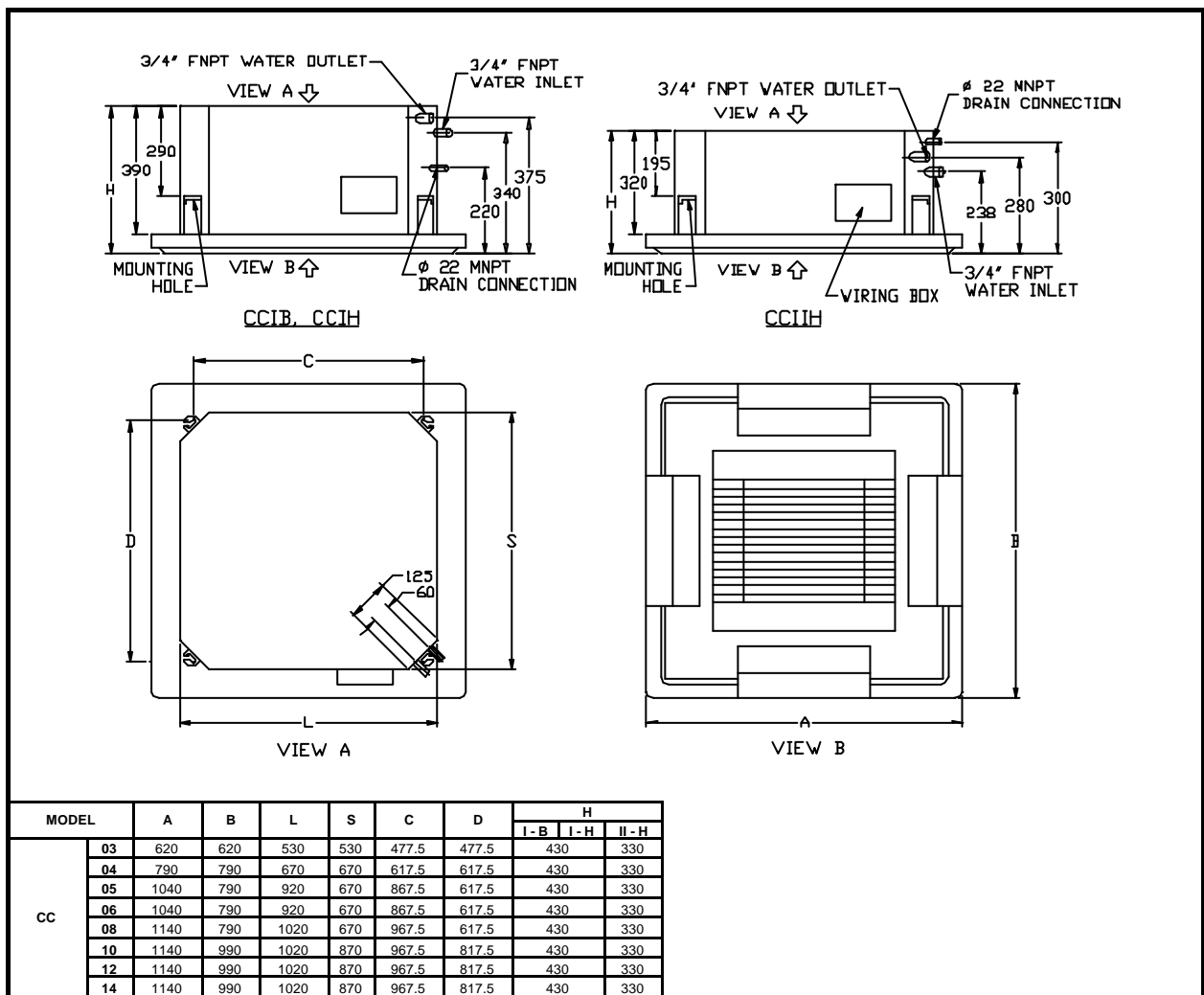


Note: All dimensions are in mm unless specified.

## 4.) CR-FC



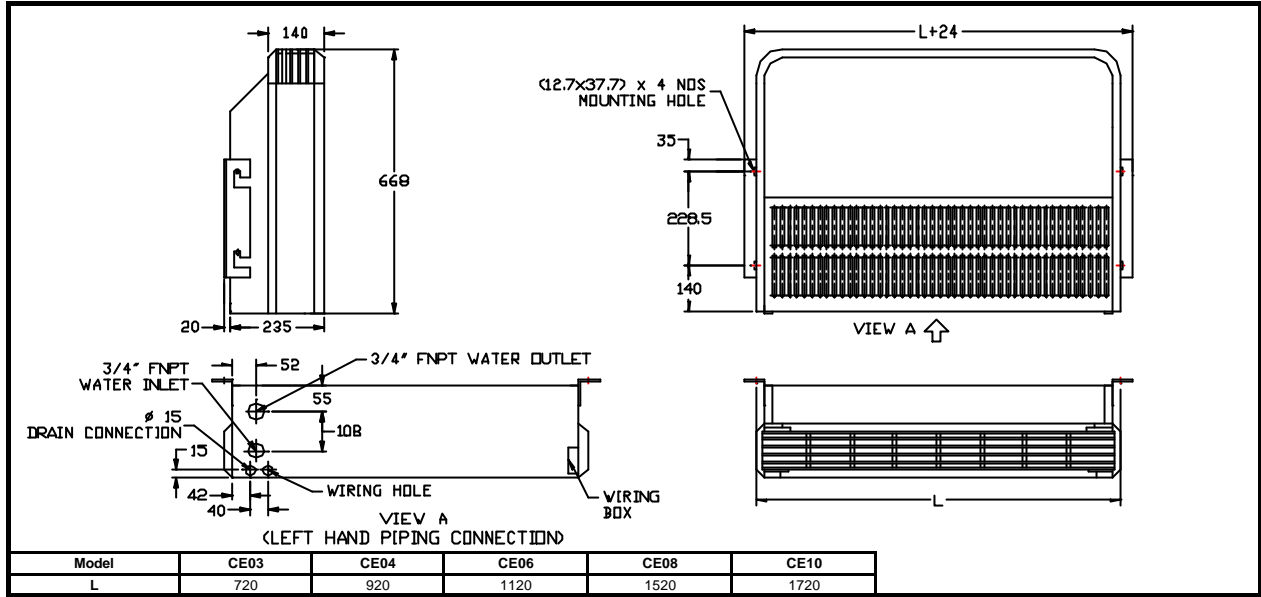
## 5.) CR-CC



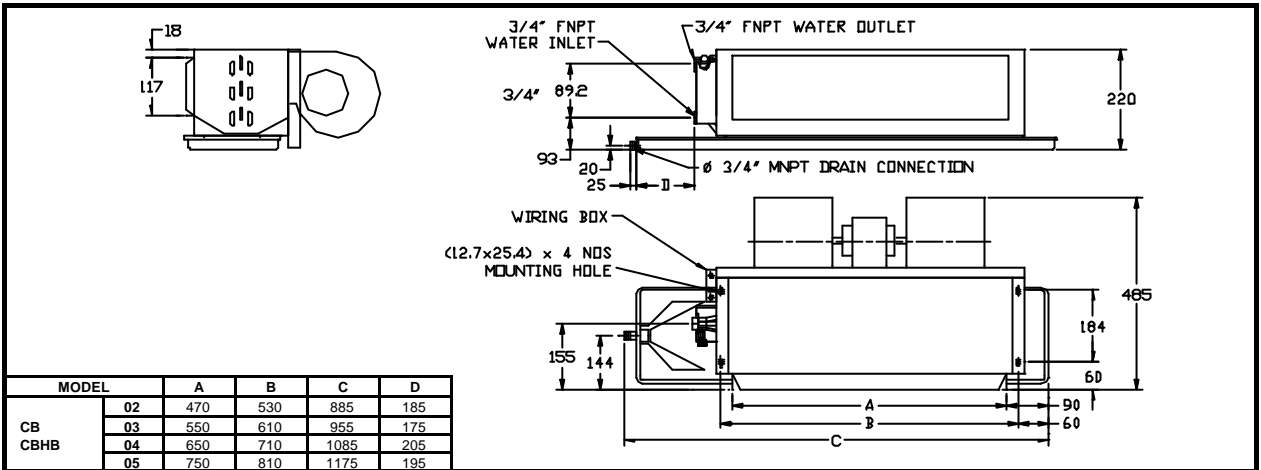
Note: All dimensions are in mm unless specified.



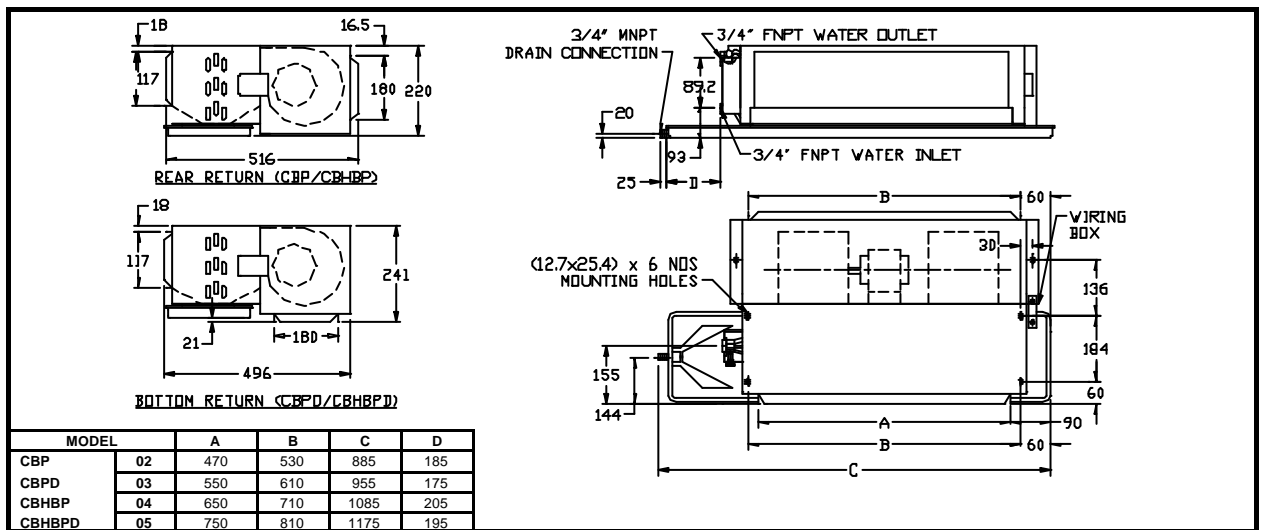
## 6.) CR-CE



## 7.) CRT-CB/ CBHB

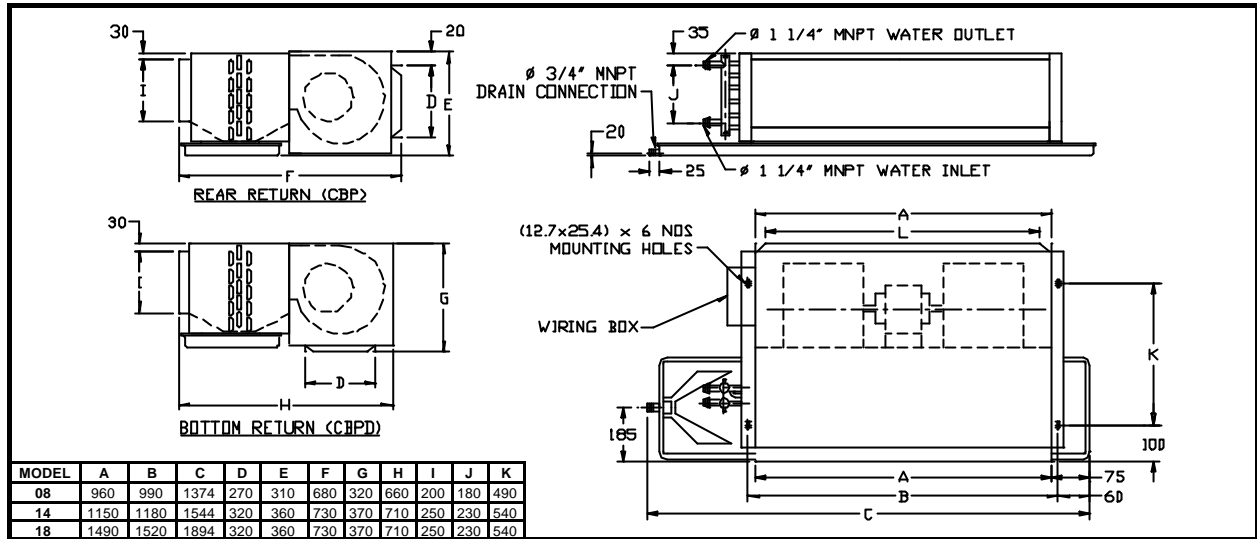


## 8.) CRT-CBP/ CBPD/ CBHBP/ CBHBPD



Note: All dimensions are in mm unless specified.

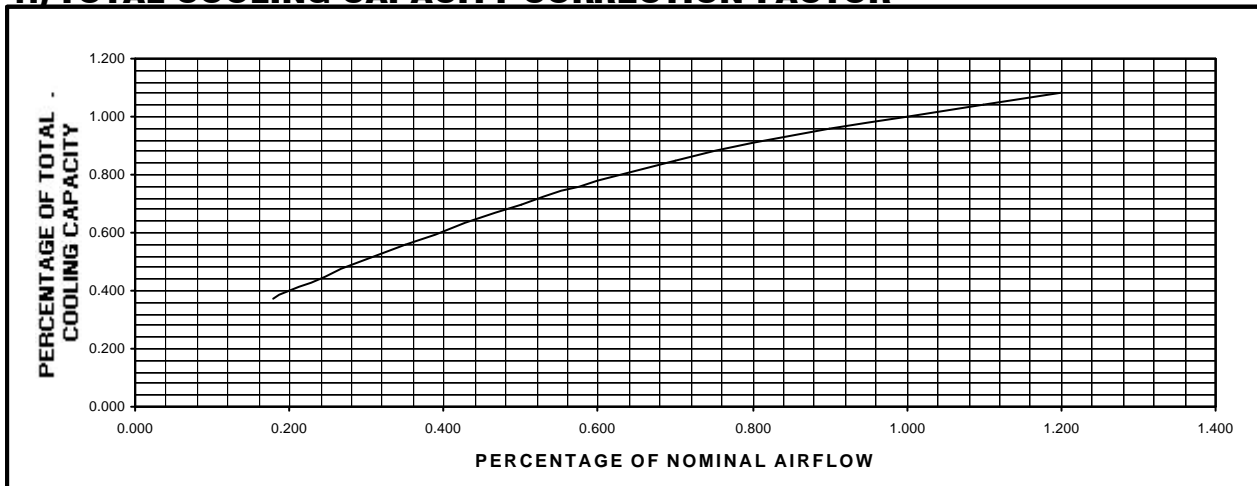
## 9.) CRH-CBP/ CBPD



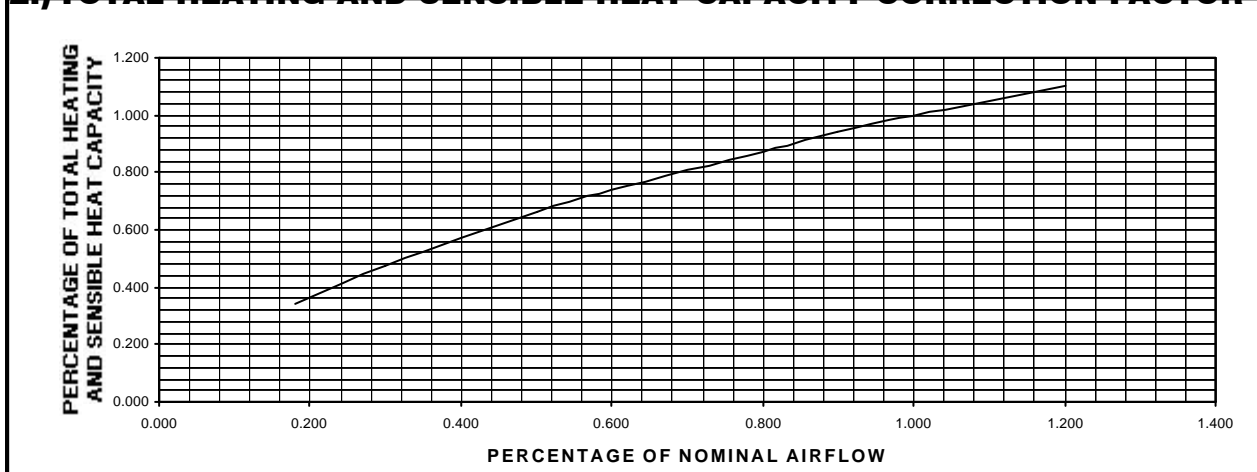
Note: All dimensions are in mm unless specified.

## TOTAL CAPACITY CORRECTION FACTOR

### 1.) TOTAL COOLING CAPACITY CORRECTION FACTOR



### 2.) TOTAL HEATING AND SENSIBLE HEAT CAPACITY CORRECTION FACTOR



## ELECTRICAL DATA

### 1.) CR- CB/ CBP/ CBPD/ FB/ FC

(220V/1P/50Hz)

Unit Size		02	03	04	05	06	07	08	10	12
High	Amps (A)	0.14	0.19	0.19	0.38	0.44	0.51	0.65	0.76	0.96
	Watts Input (W)	30	37	41	82	96	112	141	166	210
	Watts Output (W)	10	10	16	25	30	35	40	50	80
Med.	Amps (A)	0.13	0.18	0.18	0.33	0.37	0.46	0.52	0.65	0.75
	Watts Input (W)	28	34	39	71	79	99	108	143	162
	Watts Output (W)	9	9	15	22	25	31	31	43	62
Low	Amps (A)	0.11	0.15	0.15	0.28	0.31	0.40	0.43	0.57	0.59
	Watts Input (W)	24	32	33	60	64	84	86	121	124
	Watts Output (W)	8	9	13	18	20	26	25	36	47

### 2.) CR- CBHB/ CBHBP/ CBHBPD

(220V/1P/50Hz)

Unit Size		02	03	04	05	06	07	08	10	12
High	Amps (A)	0.26	0.32	0.38	0.44	0.48	0.70	0.76	0.87	1.07
	Watts Input (W)	58	69	82	96	105	154	166	194	238
	Watts Output (W)	16	20	25	30	40	46	50	60	100
Med.	Amps (A)	0.20	0.25	0.33	0.37	0.38	0.58	0.65	0.73	0.83
	Watts Input (W)	44	52	71	79	80	123	141	160	181
	Watts Output (W)	12	15	22	25	30	37	42	49	76
Low	Amps (A)	0.16	0.21	0.28	0.31	0.30	0.40	0.54	0.62	0.66
	Watts Input (W)	33	41	60	64	72	97	117	130	136
	Watts Output (W)	9	12	18	20	27	29	35	40	57

### 3.) CR- CE

(220V/1P/50Hz)

Unit Size		03	04	06	08	10
High	Amps (A)	0.19	0.19	0.44	0.65	0.76
	Watts Input (W)	37	41	96	141	166
	Watts Output (W)	10	16	30	40	50
Med.	Amps (A)	0.18	0.18	0.37	0.52	0.65
	Watts Input (W)	34	39	79	108	143
	Watts Output (W)	9	15	25	31	43
Low	Amps (A)	0.15	0.15	0.31	0.43	0.57
	Watts Input (W)	32	33	64	86	121
	Watts Output (W)	9	13	20	25	36

### 4.) CRT- CB/ CBP/ CBPD

(220V/1P/50Hz)

Unit Size		02	03	04	05
High	Amps (A)	0.12	0.13	0.22	0.33
	Watts Input (W)	24	27	45	73
	Watts Output (W)	8	9	12	18
Med.	Amps (A)	0.10	0.11	0.19	0.27
	Watts Input (W)	23	24	41	59
	Watts Output (W)	8	8	11	15
Low	Amps (A)	0.09	0.10	0.17	0.22
	Watts Input (W)	20	22	37	47
	Watts Output (W)	7	7	10	12

### 5.) CRT- CBHB/ CBHBP/ CBHBPD

(220V/1P/50Hz)

Unit Size		02	03	04	05
High	Amps (A)	0.29	0.30	0.33	0.42
	Watts Input (W)	60	65	72	91
	Watts Output (W)	10	12	18	25
Med.	Amps (A)	0.24	0.24	0.28	0.37
	Watts Input (W)	52	54	60	81
	Watts Output (W)	9	10	15	22
Low	Amps (A)	0.20	0.20	0.22	0.31
	Watts Input (W)	43	44	47	67
	Watts Output (W)	7	8	12	18

## 6.) CRT- CBP/ CBPD

(220V/1P/50Hz)

Unit Size		08	14	18
High	Amps (A)	1.65	2.56	3.56
	Watts Input (W)	362	550	776
	Watts Output (W)	210	300	430
Med. High	Amps (A)	1.26	2.08	3.14
	Watts Input (W)	276	439	710
	Watts Output (W)	160	239	393
Med.	Amps (A)	0.97	1.66	2.24
	Watts Input (W)	213	349	481
	Watts Output (W)	124	190	267
Low	Amps (A)	0.93	1.58	2.21
	Watts Input (W)	203	329	471
	Watts Output (W)	118	179	261

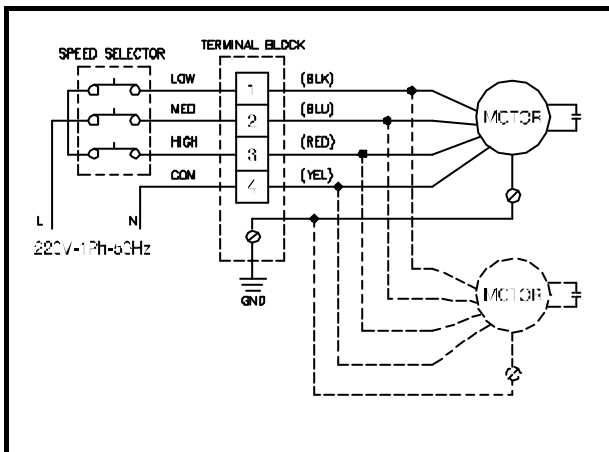
## 7.) CR- CC

(220V/1P/50Hz)

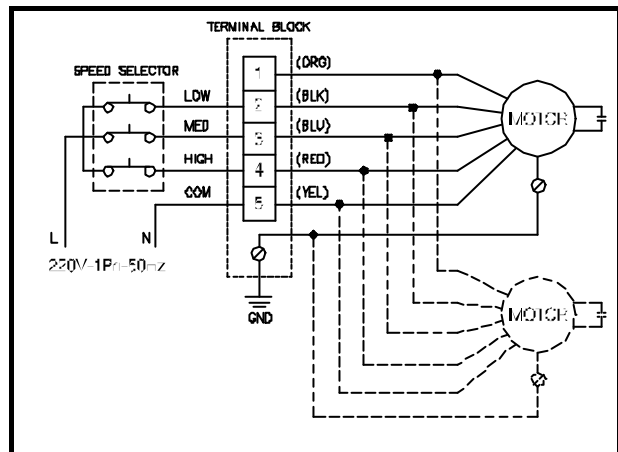
Unit Size		03	04	05	06	08	10	12	14
High	Amps (A)	0.25	0.35	0.35	0.35	0.37	0.68	0.90	0.90
	Watts Input (W)	52	74	75	96	96	152	190	190
	Watts Output (W)	16	18	20	30	35	80	100	100
Med.	Amps (A)	0.21	0.22	0.32	0.29	0.31	0.52	0.65	0.65
	Watts Input (W)	45	70	70	65	68	130	145	145
	Watts Output (W)	15	17	19	28	33	77	93	93
Low	Amps (A)	0.19	0.17	0.30	0.25	0.26	0.43	0.55	0.55
	Watts Input (W)	42	65	67	53	55	95	120	120
	Watts Output (W)	14	16	18	27	31	75	90	90

## ELECTRICAL DIAGRAM

### 1.) CR/ CRT



### 2.) CRH



Note: Terminal No. 1, 2, 3 for low static pressure, low, medium, high speed connection.  
Terminal No. 2, 3, 4 for high static pressure, low, medium, high speed connection.  
Shown factory pre-delivery connection.  
Caution: Wrong termination may cause motor damage.

MANUFACTURER RESERVES THE RIGHT TO CHANGE SPECIFICATION OR DESIGN AT ANY TIME WITHOUT PRIOR NOTICE.