

DUNHAM-BUSH®

FORM NO: MS0213B

Products That Perform...By People Who Care

**AIR-COOLED SINGLE PACKAGE REVERSIBLE
HEAT PUMP WITH SCROLL COMPRESSOR**

R22/R407c

6ACPSB-P-HP Series

**COOLING CAPACITY-
30 TO 1468 MBH**

60 Hz



AIR-COOLED PACKAGE UNITS

GENERAL DESCRIPTION

The 6ACPSB-P-HP series with new features is suitable for hotel, office, hospital, school, factory and supermarket applications. The low noise and compact series are completely leak tested, evacuated, dehydrated and charged with refrigerant prior to shipment.

Scroll Compressor(s)

Reliability

- * No contact scroll design that minimizes friction, increases volumetric efficiency and reduces vibration, thus longer service life.
- * Suction gas cooled motor.

Low Power Consumption:

- * High EER.

Class F Insulation Condenser Fan Motor

- * Extra safety margin and longer motor life even in extreme operating conditions.
- * IP 55 construction ensure extra motor protection (6ACPSB 68P to 1520P).
- * Low motor speed at 1140 rpm ensures quiet condenser fan operation.
- * Fan Cycling and two speed motor is used on the multiple fan and single fan respectively maintain the head pressure.



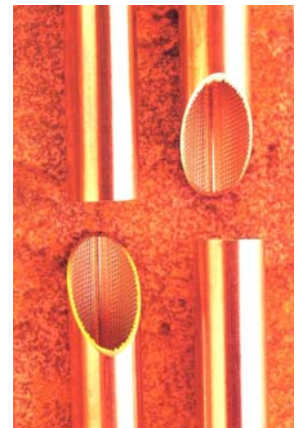
Multiple Compressor

(250P and above)

- * By cycling off compressor operation to match building load, no energy is being wasted when room load requires lesser cooling capacity.
- * No total shut down when servicing or repairing a faulty compressor.

Efficient Hydrophilic Condenser Coil

- * Staggered row of 3/8"OD inner groove tubes with 25 to 30% more surface area guarantee better heat transfer.
- * Mechanically expanded into die-formed corrugated hydrophilic aluminum fins space 12 fins per inch.
- * One or multiple thermal expansion valve promotes efficient cooling and superheat during reverse cycle.
- * Leak and pressure tested to 450 psig.



Fully Leak Tested Refrigerant Circuit

- * Compressor, condenser coil, filter drier, sightglass, thermo-expansion valve, distributor and evaporator coil is brazed in complete sealed loop.
- * Leak and pressure tested at 450 psig.
- * Pressure ports are provided on the discharge, liquid and suction line.
- * Evacuated, dehydrated and charge with refrigerant gas prior to shipment.

Safety Control

- * High-low pressure cutout to protect compressor from high discharge pressure and system leakage.
- * Suction accumulator to prevent liquid flood back to the compressor during heating cycle.

AIR-COOLED PACKAGE UNITS

Casing

- * Constructed from heavy gauge galvanized steel.
- * Panels are painted with epoxy powder paint for excellent finish, weatherability and corrosion resistance.
- * Evaporator section is insulated with 1 x 1 1/2 lb per.cu.ft of linacoustic fibreglass.

Efficient Evaporator Coil

- * Independent thermal expansion valve with external equalizer for better refrigerant control and wider load condition.
- * Leak and pressure tested to 450 psig
- * Evacuated, dehydrated and charged with dry nitrogen.

Drive Package and Blowers

- * Belt driven drive package offers flexibility on various air flow rate and various static pressure applications (160P and above).
- * Single large diameter double inlet double width blowers (AMCA certified) reduce the noise level and eliminates the need for common transition and eliminates air unbalance.



Filters

- * 1" thick with side loading for model 30P to 145P.
- * 2" thick with side loading for model 160P to 570P.
- * 2" thick with front loading for model 640P and above.

OPTIONAL ACCESSORIES FEATURES

- * Factory wired starters
 - DOL for compressors and fan motors.
 - Auto-transformer for compressors.
- * Suction stop valve(s), discharge stop valve(s) and liquid stop valve(s).
- * Internal spring vibration isolators for blower fan and drive assembly.
- * Fan staging of multiple fans for head pressure control.
- * Thermostat
- * Hydrophilic fins, copper or tinned coated copper fins for better corrosion resistance.
- * Axial fan for ducted air discharge.
- * Hot gas by pass for low load and low ambient conditions.
- * Decorative discharge plenum
- * Hot water heating coils
- * Electric heaters
- * R407C refrigerant instead of R22.

SYSTEM COOLING CAPACITY

PERFORMANCE DATA

R22

UNIT MODEL	STD. CAPACITY MBH	AIR ON EVAP.		AIR TEMPERATURE ON CONDENSER COIL - °F											
		CFM	WB TEMP. °F	75			95			115			125		
				TOTAL MBH ¹	SENS MBH ²	KW ³	TOTAL MBH ¹	SENS MBH ²	KW ³	TOTAL MBH ¹	SENS MBH ²	KW ³	TOTAL MBH ¹	SENS MBH ²	KW ³
6ACPRB 30P-HP	30.0	1000	72	34.9	16.2	2.4	33.1	15.6	2.8	31.0	15.0	3.1	26.6	12.5	2.9
			67	32.3	20.5	2.3	30.0	19.6	2.7	28.7	19.2	3.0	25.2	16.5	2.9
			62	29.8	24.7	2.2	28.2	24.1	2.5	26.4	23.4	2.8	23.0	19.6	2.9
			57	27.7	27.7	2.1	26.1	26.1	2.4	24.1	24.1	2.7	20.2	17.2	2.8
6ACPRB 40P-HP	40.0	1400	72	46.6	22.4	3.1	44.2	21.6	3.6	41.4	20.7	4.0	35.5	17.3	3.8
			67	43.1	28.3	3.0	40.0	27.0	3.4	38.3	26.5	3.8	33.7	22.7	3.7
			62	39.7	34.1	2.9	37.6	33.2	3.3	35.2	32.3	3.6	30.7	27.0	3.7
			57	36.9	36.9	2.7	34.8	34.8	3.1	32.1	32.1	3.5	27.0	23.7	3.6
6ACPSB 50P-HP	50.0	1600	72	58.2	28.5	3.9	55.2	27.5	4.4	51.7	26.3	5.0	44.4	22.0	4.7
			67	53.9	36.0	3.7	50.0	34.4	4.3	47.9	33.7	4.7	42.1	28.9	4.6
			62	49.6	43.4	3.6	47.0	42.3	4.1	44.0	41.1	4.5	38.3	34.5	4.6
			57	46.1	46.1	3.5	43.5	43.5	3.9	40.1	40.1	4.3	33.7	30.2	4.5
6ACPSB 68P-HP	60.7	2000	72	68.2	36.9	4.2	64.4	35.1	4.5	60.7	31.8	4.7	57.5	30.2	4.9
			67	65.1	49.4	4.1	60.7	46.1	4.4	57.5	43.8	4.6	54.3	41.3	4.8
			62	59.3	59.3	3.9	55.6	55.6	4.3	52.4	52.4	4.5	49.1	49.1	4.7
			57	52.4	52.4	3.9	48.7	48.7	4.3	46.1	46.1	4.5	43.3	43.3	4.6
6ACPSB 81P-HP	73.0	2400	72	81.8	44.3	5.1	77.2	42.0	5.5	72.8	38.0	5.8	69.1	36.3	6.0
			67	78.0	59.2	5.0	73.0	55.3	5.4	68.8	52.4	5.7	65.4	49.5	5.9
			62	71.1	64.0	4.8	66.6	60.0	5.3	62.8	56.5	5.5	59.1	59.1	5.8
			57	62.9	62.9	4.8	58.4	58.4	5.2	55.3	55.3	5.5	52.0	52.0	5.7
6ACPSB 95P-HP	85.9	2600	72	96.6	52.9	5.9	91.0	49.9	6.3	85.9	47.1	6.6	76.2	41.9	6.8
			67	92.2	70.3	5.7	85.9	65.6	6.2	81.4	62.2	6.5	72.3	55.2	6.7
			62	84.1	84.1	5.7	78.8	78.8	6.1	74.3	74.3	6.4	65.8	65.7	6.6
			57	74.3	74.3	5.5	69.0	69.0	6.0	65.3	65.3	6.3	57.9	57.6	6.6
6ACPSB 108P-HP	100.0	3200	72	112.4	61.6	6.9	106.0	58.0	7.3	100.0	54.8	7.7	88.7	48.8	8.0
			67	107.3	81.8	6.7	100.0	76.3	7.2	94.8	72.3	7.6	84.1	64.2	7.9
			62	97.9	97.9	6.6	91.7	91.7	7.1	86.4	86.4	7.5	76.6	76.4	7.8
			57	86.4	86.4	6.4	80.3	80.3	7.1	76.0	76.0	7.4	67.4	67.0	7.7
6ACPSB 125P-HP	112.5	3500	72	125.5	69.1	7.5	119.3	65.0	8.0	111.6	61.3	8.4	99.4	54.5	8.7
			67	119.8	91.2	7.3	112.5	85.0	8.0	105.8	80.4	8.4	94.2	71.7	8.6
			62	109.2	109.2	7.2	103.1	102.3	7.8	96.5	96.5	8.2	86.3	86.3	8.4
			57	96.5	96.5	7.1	90.2	89.5	7.7	84.8	84.8	8.1	75.7	75.7	8.3
6ACPSB 145P-HP	130.3	4000	72	145.4	71.6	8.5	133.2	67.4	9.1	129.3	63.5	9.6	115.1	56.5	9.9
			67	138.8	94.5	8.3	130.3	88.1	9.1	122.5	83.3	9.6	109.1	74.3	9.8
			62	126.5	113.2	8.2	119.4	106.0	8.9	111.8	100.0	9.3	99.9	89.4	9.6
			57	111.8	100.0	8.1	104.5	92.8	8.8	98.2	87.9	9.2	89.7	78.5	9.4
6ACPSB 160P-HP	150.0	4600	72	169.0	99.0	10.3	159.3	93.3	11.0	150.2	87.8	11.5	136.7	80.9	12.0
			67	161.2	134.1	9.9	150.0	120.9	10.9	142.4	118.5	11.4	129.7	107.9	11.9
			62	147.2	147.2	9.8	137.8	137.8	10.7	129.9	129.9	11.1	118.3	118.3	11.7
			57	129.9	129.9	9.7	120.4	120.4	10.5	114.2	114.2	11.0	103.8	103.8	11.5
6ACPSB 190P-HP	170.0	4800	72	191.4	94.6	11.7	180.3	98.4	12.5	170.0	92.9	13.1	155.4	82.9	13.5
			67	182.6	137.9	11.4	170.0	128.5	12.3	161.3	121.8	12.9	147.4	111.3	13.3
			62	166.5	166.5	11.2	155.9	155.9	12.1	147.2	147.2	12.7	134.6	134.6	13.1
			57	147.2	147.2	11.0	136.5	136.5	11.9	129.3	129.3	12.6	118.3	118.3	12.9
6ACPSB 220P-HP	200.0	5400	72	226.2	134.9	13.6	213.1	127.2	14.4	200.0	119.1	15.3	179.3	106.8	16.8
			67	212.1	180.0	13.5	200.0	169.7	14.3	187.8	159.3	15.3	168.3	142.7	16.7
			62	196.0	196.0	13.3	185.8	185.8	14.2	173.7	173.7	15.2	155.8	155.7	16.6
			57	177.8	177.8	13.2	167.7	167.7	14.1	151.9	151.9	15.0	135.1	135.1	16.5
6ACPSB 250P-HP	225.0	6400	72	251.0	136.0	15.2	236.6	128.1	16.2	223.2	120.8	16.9	200.9	108.7	17.6
			67	239.5	178.5	14.7	225.0	168.0	16.1	211.6	159.4	16.8	190.5	143.2	17.4
			62	218.5	210.9	14.5	204.6	204.6	15.7	193.0	193.0	16.5	174.0	172.5	17.1
			57	193.0	193.0	14.3	179.0	179.0	15.5	169.6	169.6	16.3	153.0	153.0	16.8
6ACPSB 290P-HP	260.0	7500	72	290.0	149.5	17.7	273.1	140.7	18.8	256.4	132.2	20.0	235.7	121.5	21.5
			67	271.9	191.7	17.6	260.0	180.8	18.6	240.9	169.7	19.9	221.3	156.0	21.4
			62	250.9	230.9	17.3	238.2	219.0	18.6	222.7	204.6	19.8	204.6	188.2	21.3
			57	227.9	227.9	17.2	215.0	215.0	18.4	197.5	197.5	19.6	177.6	177.6	21.1
6ACPSB 320P-HP	300.0	8000	72	339.4	173.8	20.6	319.8	163.8	21.9	300.0	153.8	23.2	268.9	137.8	25.0
			67	318.2	221.5	20.5	300.0	208.7	21.7	281.8	196.1	23.1	252.4	175.7	24.7
			62	294.0	265.2	20.1	278.7	242.4	21.5	251.4	235.3	23.0	233.6	210.9	24.5
			57	266.7	266.7	20.0	251.5	251.5	21.4	227.8	227.8	22.8	202.6	202.6	24.3

NOTES : 1.) RATINGS ARE GROSS CAPACITIES - FOR NET CAPACITIES, DEDUCT EVAPORATOR BLOWER MOTOR HEAT.
2.) AT 80 °F (26.6°C) AIR ON EVAPORATOR.
3.) COMPRESSOR KW INPUT

SYSTEM COOLING CAPACITY

PERFORMANCE DATA

R22

SINGLE COND. UNIT MODEL	STD. CAPACITY MBH	AIR ON EVAP.		AIR TEMPERATURE ON CONDENSER COIL - °F											
		CFM	WB TEMP. °F	75			95			115			125		
				TOTAL MBH ¹	SENS MBH ²	KW ³	TOTAL MBH ¹	SENS MBH ²	KW ³	TOTAL MBH ¹	SENS MBH ²	KW ³	TOTAL MBH ¹	SENS MBH ²	KW ³
6ACPSB 380P-HP	350.0	9200	72	393.4	209.6	24.1	370.7	197.5	25.5	349.7	186.3	27.1	313.4	166.5	29.0
			67	375.2	276.2	23.9	350.0	257.4	25.4	331.4	244.1	27.0	297.2	218.4	28.8
			62	342.2	334.2	23.5	320.7	313.1	25.2	302.5	295.4	26.8	271.5	264.4	28.6
			57	302.5	302.5	23.3	280.4	280.4	25.0	265.7	265.7	26.6	238.6	238.0	28.4
6ACPSB 435P-HP	390.0	11500	72	436.8	211.4	27.4	413.4	200.9	29.1	390.0	182.4	30.9	358.6	171.4	33.0
			67	417.3	282.8	27.2	390.0	264.3	29.1	370.5	251.1	30.7	336.6	228.2	32.8
			62	382.2	340.9	26.7	358.8	317.2	28.7	335.4	301.3	30.6	311.5	276.2	32.6
			57	335.4	335.4	26.6	312.0	312.0	28.4	296.4	296.4	30.3	270.1	270.1	32.3
6ACPSB 480P-HP	435.0	12000	72	491.2	253.6	29.8	462.6	238.8	31.6	434.1	224.0	33.6	399.3	198.5	35.9
			67	460.3	380.0	29.6	435.0	306.0	31.4	407.9	287.5	33.4	374.7	264.2	35.6
			62	425.4	382.9	29.1	403.4	363.1	31.2	377.1	339.4	33.2	346.8	319.7	35.4
			57	386.0	386.0	28.9	363.9	363.9	30.9	341.8	341.8	33.0	300.8	300.8	35.1
6ACPSB 510P-HP	460.0	14000	72	520.6	267.1	31.7	490.3	251.6	33.7	460.1	236.1	35.8	418.5	214.8	38.6
			67	488.0	339.1	31.5	460.0	319.9	33.4	432.2	300.4	35.7	392.9	273.1	38.2
			62	450.8	405.7	31.0	427.6	384.8	33.1	399.7	359.7	35.4	363.5	327.6	37.9
			57	409.0	409.0	30.7	385.7	385.7	33.0	362.4	362.4	35.1	315.4	315.4	37.7
6ACPSB 570P-HP	510.0	15000	72	577.1	299.5	35.1	543.6	280.3	37.2	510.1	262.9	39.6	469.0	233.3	42.1
			67	541.1	445.4	34.8	510.0	358.7	37.0	479.2	337.0	39.4	440.4	309.7	41.9
			62	499.8	449.8	34.2	474.1	426.7	36.7	443.1	398.8	39.1	407.7	376.3	41.5
			57	453.4	453.4	34.0	427.6	427.6	36.4	401.8	401.8	38.8	353.7	353.7	41.2
6ACPSB 640P-HP	580.0	16000	72	656.4	335.2	39.7	618.2	315.8	42.1	580.1	296.4	44.8	536.8	274.2	47.7
			67	615.3	424.0	39.4	580.0	399.7	41.8	545.0	375.5	44.5	503.9	347.3	47.4
			62	568.4	511.6	38.8	539.1	485.2	41.5	504.1	453.7	44.3	466.4	419.8	47.1
			57	515.7	515.7	38.6	486.4	486.4	41.2	457.1	457.1	43.9	404.5	404.5	46.7
6ACPSB 700P-HP	640.0	17200	72	723.9	371.3	44.0	681.9	349.7	46.7	639.8	329.8	49.6	564.2	304.2	53.1
			67	678.7	471.7	43.7	640.0	444.9	46.3	600.8	417.9	49.4	527.0	386.0	52.7
			62	626.9	564.2	43.0	594.6	535.1	46.1	556.0	500.4	49.0	514.1	465.9	52.4
			57	568.7	568.7	42.7	536.4	536.4	45.7	504.1	504.1	48.7	423.1	423.1	52.0
6ACPSB 760P-HP	690.0	18000	72	781.1	400.7	47.5	735.8	377.3	50.4	690.4	355.9	53.6	608.8	328.3	57.4
			67	732.4	509.0	47.2	690.0	480.1	50.1	648.3	451.0	53.4	568.6	416.5	56.9
			62	676.5	608.9	46.4	641.7	577.5	49.7	599.9	539.9	53.0	554.8	502.8	56.6
			57	613.7	613.7	46.1	578.8	578.8	49.3	543.9	543.9	52.6	456.5	456.5	56.1
6ACPSB 800P-HP	740.0	19600	72	837.6	429.6	50.7	789.0	404.6	53.8	740.3	381.6	57.2	652.8	352.0	61.2
			67	785.3	545.8	50.4	740.0	514.7	53.4	695.2	483.6	56.9	609.7	446.6	60.7
			62	725.4	652.9	49.5	688.0	619.2	53.0	643.3	579.0	56.5	594.9	539.1	60.3
			57	658.0	658.0	49.2	620.7	620.7	52.6	583.4	583.4	56.1	489.5	489.5	59.8
6ACPSB 890P-HP	810.0	21000	72	906.9	468.6	55.2	854.4	441.1	58.6	801.7	414.0	62.3	741.9	387.5	66.5
			67	850.2	574.2	54.9	810.0	565.5	58.2	753.1	531.2	62.0	696.4	491.3	66.1
			62	785.5	707.0	54.0	745.0	670.5	57.8	696.4	626.8	61.6	644.4	594.9	65.5
			57	712.6	712.6	53.5	672.2	672.2	57.3	631.8	631.8	61.1	559.1	559.1	61.9
6ACPSB 960P-HP	880.0	23000	72	995.8	514.5	60.2	938.1	484.4	63.9	880.3	454.6	67.9	814.6	425.5	72.5
			67	933.6	630.4	59.8	880.0	621.0	63.5	826.9	583.3	67.7	764.7	539.5	72.0
			62	862.5	776.3	58.9	818.1	736.3	63.0	764.7	688.2	67.2	707.6	653.2	71.5
			57	782.5	782.5	58.4	738.0	738.0	62.5	693.5	693.5	66.6	614.1	614.1	67.5
6ACPSB 1020P-HP	930.0	25800	72	1049.7	542.3	63.8	988.9	510.6	67.7	928.0	479.2	71.9	858.7	448.6	76.8
			67	984.1	664.6	63.3	930.0	654.6	67.2	871.7	614.8	71.6	806.1	568.7	76.3
			62	909.2	818.3	62.3	862.4	776.2	66.7	806.1	725.5	71.1	745.9	688.5	75.7
			57	824.8	824.8	61.8	778.0	778.0	66.2	731.2	731.2	70.6	647.1	647.1	71.5
6ACPSB 1140P-HP	1020.0	26400	72	1153.8	596.1	70.2	1086.9	561.2	74.5	1019.9	526.7	79.1	943.8	493.0	84.5
			67	1081.7	730.4	69.7	1020.0	719.4	74.0	958.1	675.8	78.8	886.0	625.0	83.9
			62	999.3	899.4	68.6	947.8	853.0	73.4	886.0	797.4	78.2	819.8	756.8	83.3
			57	906.6	906.6	68.0	855.1	855.1	72.8	803.6	803.6	77.6	711.3	711.3	78.7
6ACPSB 1340P-HP	1220.0	32000	72	1362.8	704.1	83.6	1283.8	662.9	88.8	1204.7	622.1	94.3	1114.8	582.3	100.7
			67	1277.6	862.7	83.0	1220.0	849.8	88.2	1131.6	798.2	93.9	1046.5	738.2	100.0
			62	1180.3	1062.3	81.7	1119.5	1007.6	87.5	1046.5	941.9	93.2	968.4	893.9	99.2
			57	1070.8	1070.8	81.0	1010.0	1010.0	86.8	949.2	949.2	92.5	840.1	840.1	93.7
6ACPSB 1520P-HP	1360.0	36000	72	1541.5	796.4	93.6	1452.2	749.8	99.3	1362.7	703.7	105.5	1261.0	658.7	112.6
			67	1445.2	975.9	92.9	1360.0	961.2	98.7	1280.0	902.9	105.1	1183.7	835.0	111.9
			62	1335.1	1201.6	91.5	1266.3	1139.7	97.9	1183.7	1065.3	104.3	1095.4	1011.1	111.0
			57	1211.3	1211.3	90.7	1142.5	1142.5	97.1	1073.7	1073.7	103.5	950.3	950.3	104.9

NOTES: 1.) RATINGS ARE GROSS CAPACITIES - FOR NET CAPACITIES, DEDUCT EVAPORATOR BLOWER MOTOR HEAT.
 2.) AT 80 °F (26.6°C) AIR ON EVAPORATOR.
 3.) COMPRESSOR KW INPUT.

SYSTEM COOLING CAPACITY

PERFORMANCE DATA

R407c

UNIT MODEL	STD. CAPACITY MBH	AIR ON EVAP.		AIR TEMPERATURE ON CONDENSER COIL - °F								
		CFM	WB TEMP. °F	75			95			115		
				TOTAL MBH ¹	SENS MBH ²	KW ³	TOTAL MBH ¹	SENS MBH ²	KW ³	TOTAL MBH ¹	SENS MBH ²	KW ³
6ACPRB 30P-HPP	29.3	1000	72	34.1	15.9	2.4	32.3	15.4	2.8	30.2	14.8	3.1
			67	31.6	20.2	2.3	29.3	19.3	2.7	28.0	19.0	3.0
			62	29.1	24.4	2.2	27.5	23.8	2.5	25.7	23.1	2.8
			57	27.1	27.1	2.1	25.5	25.5	2.4	23.5	23.5	2.7
6ACPRB 40P-HPP	39.0	1400	72	45.5	22.0	3.1	43.1	21.3	3.6	40.4	20.4	4.0
			67	42.1	27.9	3.0	39.0	26.6	3.4	37.3	26.2	3.8
			62	38.8	33.7	2.9	36.7	32.8	3.3	34.3	31.9	3.6
			57	36.1	36.1	2.7	34.0	34.0	3.1	31.3	31.3	3.5
6ACPSB 50P-HPP	48.8	1600	72	56.9	28.0	3.9	53.9	27.1	4.4	50.4	25.9	5.0
			67	52.7	35.5	3.7	48.8	34.0	4.3	46.7	33.3	4.7
			62	48.5	42.9	3.6	45.9	41.8	4.1	42.9	40.6	4.5
			57	45.0	45.0	3.5	42.5	42.5	3.9	39.1	39.1	4.3
6ACPSB 68P-HPP	59.2	2000	72	66.6	36.3	4.2	62.9	34.5	4.5	59.2	31.3	4.7
			67	63.6	48.8	4.1	59.2	45.5	4.4	56.1	43.2	4.6
			62	57.9	57.9	3.9	54.3	54.3	4.3	51.1	51.1	4.5
			57	51.2	51.2	3.9	47.5	47.5	4.3	44.9	44.9	4.5
6ACPSB 81P-HPP	71.2	2400	72	79.9	43.6	5.1	75.3	41.3	5.5	71.0	37.4	5.8
			67	76.2	58.4	5.0	71.2	54.6	5.4	67.1	51.7	5.7
			62	69.5	63.3	4.8	65.0	59.3	5.3	61.2	55.9	5.5
			57	61.5	61.5	4.8	57.0	57.0	5.2	53.9	53.9	5.5
6ACPSB 95P-HPP	83.8	2600	72	94.4	52.1	5.9	88.8	49.1	6.3	83.8	46.3	6.6
			67	90.1	69.4	5.7	83.8	64.7	6.2	79.4	61.4	6.5
			62	82.2	82.2	5.7	76.9	76.9	6.1	72.4	72.4	6.4
			57	72.6	72.6	5.5	67.3	67.3	6.0	63.7	63.7	6.3
6ACPSB 108P-HPP	97.6	3200	72	109.8	60.6	6.9	103.5	57.1	7.3	97.5	53.9	7.7
			67	104.8	80.7	6.7	97.6	75.3	7.2	92.4	71.4	7.6
			62	95.6	95.6	6.6	89.5	89.5	7.1	84.2	84.2	7.5
			57	84.4	84.4	6.4	78.4	78.4	7.1	74.1	74.1	7.4
6ACPSB 125P-HPP	109.8	3500	72	122.6	68.0	7.5	116.4	64.0	8.0	108.8	60.3	8.4
			67	117.0	90.0	7.3	109.8	83.9	8.0	103.2	79.4	8.4
			62	106.7	106.7	7.2	100.6	100.6	7.8	94.1	94.1	8.2
			57	94.3	94.3	7.1	88.0	88.0	7.7	82.7	82.7	8.1
6ACPSB 145P-HPP	127.2	4000	72	142.1	70.5	8.5	130.0	66.3	9.1	126.1	62.5	9.6
			67	135.6	93.3	8.3	127.2	87.0	9.1	119.4	82.2	9.6
			62	123.6	112.0	8.2	116.5	104.8	8.9	109.0	98.9	9.3
			57	109.2	109.2	8.1	102.0	91.9	8.8	95.7	87.0	9.2
6ACPSB 160P-HPP	146.4	4600	72	165.1	97.4	10.4	155.5	91.8	11.1	146.4	86.4	11.6
			67	157.5	132.4	9.9	146.4	119.3	11.0	138.8	117.0	11.5
			62	143.8	143.8	9.8	134.5	134.5	10.8	126.7	126.7	11.2
			57	126.9	126.9	9.7	117.5	117.5	10.6	111.3	111.3	11.1
6ACPSB 190P-HPP	165.9	4800	72	187.0	93.1	11.8	176.0	96.8	12.6	165.8	91.4	13.2
			67	178.4	136.1	11.5	165.9	126.8	12.4	157.3	120.2	13.0
			62	162.7	162.7	11.3	152.2	152.2	12.2	143.5	143.5	12.8
			57	143.8	143.8	11.1	133.2	133.2	12.0	126.1	126.1	12.7
6ACPSB 220P-HPP	195.2	5400	72	221.0	132.7	13.7	208.0	125.2	14.5	195.0	117.2	15.4
			67	207.2	177.7	13.6	195.2	167.5	14.4	183.1	157.2	15.4
			62	191.5	191.5	13.4	181.3	181.3	14.3	169.4	169.4	15.3
			57	173.7	173.7	13.3	163.7	163.7	14.2	148.1	148.1	15.1
6ACPSB 250P-HPP	219.6	6400	72	245.2	133.8	15.3	230.9	126.1	16.3	217.6	118.9	17.0
			67	234.0	176.2	14.8	219.6	165.8	16.2	206.3	157.3	16.9
			62	213.5	208.6	14.6	199.7	199.7	15.8	188.2	188.2	16.6
			57	188.6	188.6	14.4	174.7	174.7	15.6	165.4	165.4	16.4
6ACPSB 290P-HPP	253.8	7500	72	283.3	147.1	17.8	266.5	138.4	18.9	250.0	130.1	20.1
			67	265.6	189.2	17.7	253.8	178.4	18.7	234.9	167.5	20.0
			62	245.1	228.4	17.4	232.5	216.6	18.7	217.1	202.3	19.9
			57	222.7	222.7	17.3	209.8	209.8	18.5	192.6	192.6	19.7
6ACPSB 320P-HPP	292.8	8000	72	331.6	171.0	20.7	312.1	161.2	22.0	292.5	151.3	23.3
			67	310.9	218.6	20.6	292.8	206.0	21.8	274.8	193.6	23.2
			62	287.2	262.3	20.2	272.0	239.7	21.6	245.1	232.7	23.1
			57	260.6	260.6	20.1	245.5	245.5	21.5	222.1	222.1	22.9

NOTES : 1.) RATINGS ARE GROSS CAPACITIES - FOR NET CAPACITIES, DEDUCT EVAPORATOR BLOWER MOTOR HEAT.
 2.) AT 80 °F (26.6°C) AIR ON EVAPORATOR.
 3.) COMPRESSOR KW INPUT

SYSTEM COOLING CAPACITY

PERFORMANCE DATA

R407c

UNIT MODEL	STD. CAPACITY MBH	AIR ON EVAP.		AIR TEMPERATURE ON CONDENSER COIL - °F								
		CFM	WB TEMP. °F	75			95			115		
				TOTAL MBH ¹	SENS MBH ²	KW ³	TOTAL MBH ¹	SENS MBH ²	KW ³	TOTAL MBH ¹	SENS MBH ²	KW ³
6ACPSB 380P-HPP	341.6	9200	72	384.4	206.2	24.2	361.8	194.3	25.6	341.0	183.3	27.2
			67	366.6	272.6	24.0	341.6	254.1	25.5	323.1	240.9	27.1
			62	334.3	330.5	23.6	313.0	309.7	25.3	294.9	292.2	26.9
			57	295.5	295.5	23.4	273.7	273.7	25.1	259.1	259.1	26.7
6ACPSB 435P-HPP	380.6	11500	72	426.8	208.0	27.5	403.5	197.7	29.2	380.3	179.5	31.1
			67	407.7	279.1	27.3	380.6	260.9	29.2	361.2	247.8	30.9
			62	373.4	337.2	26.8	350.2	313.7	28.8	327.0	298.0	30.8
			57	327.7	327.7	26.7	304.5	304.5	28.5	289.0	289.0	30.5
6ACPSB 480P-HPP	424.6	12000	72	479.9	249.5	29.9	451.5	235.0	31.8	423.2	220.4	33.8
			67	449.7	375.1	29.7	424.6	302.0	31.6	397.7	283.8	33.6
			62	415.6	378.7	29.2	393.7	359.1	31.4	367.7	335.7	33.4
			57	377.1	377.1	29.0	355.2	355.2	31.1	333.3	333.3	33.2
6ACPSB 510P-HPP	449.0	14000	72	508.6	262.8	31.9	478.5	247.6	33.9	448.6	232.3	36.0
			67	476.8	334.7	31.7	449.0	315.7	33.6	421.4	296.5	35.9
			62	440.4	401.2	31.2	417.3	380.6	33.3	389.7	355.7	35.6
			57	399.6	399.6	30.9	376.4	376.4	33.2	353.3	353.3	35.3
6ACPSB 570P-HPP	497.8	15000	72	563.8	294.7	35.3	530.6	275.8	37.4	497.3	258.7	39.8
			67	528.7	439.6	35.0	497.8	354.0	37.2	467.2	332.6	39.6
			62	488.3	444.9	34.4	462.7	422.0	36.9	432.0	394.4	39.3
			57	443.0	443.0	34.2	417.3	417.3	36.6	391.8	391.8	39.0
6ACPSB 640P-HPP	566.1	16000	72	641.3	329.8	39.9	603.4	310.7	42.3	565.6	291.7	45.0
			67	601.1	418.5	39.6	566.1	394.5	42.0	531.4	370.6	44.7
			62	555.3	506.0	39.0	526.2	479.9	41.7	491.5	448.7	44.5
			57	503.8	503.8	38.8	474.7	474.7	41.4	445.7	445.7	44.1
6ACPSB 700P-HPP	624.6	17200	72	707.3	365.4	44.2	665.5	344.1	46.9	623.8	324.5	49.8
			67	663.1	465.6	43.9	624.6	439.1	46.5	585.8	412.5	49.6
			62	612.5	558.0	43.2	580.3	529.2	46.3	542.1	494.9	49.2
			57	555.6	555.6	42.9	523.5	523.5	45.9	491.5	491.5	48.9
6ACPSB 760P-HPP	673.4	18000	72	763.1	394.3	47.7	718.1	371.3	50.7	673.1	350.2	53.9
			67	715.6	502.4	47.4	673.4	473.9	50.4	632.1	445.1	53.7
			62	660.9	602.2	46.6	626.3	571.1	49.9	584.9	534.0	53.3
			57	599.6	599.6	46.3	564.9	564.9	49.5	530.3	530.3	52.9
6ACPSB 800P-HPP	722.2	19600	72	818.3	422.7	51.0	770.1	398.1	54.1	721.8	375.5	57.5
			67	767.2	538.7	50.7	722.2	508.0	53.7	677.8	477.3	57.2
			62	708.7	645.7	49.7	671.5	612.4	53.3	627.2	572.6	56.8
			57	642.9	642.9	49.4	605.8	605.8	52.9	568.8	568.8	56.4
6ACPSB 890P-HPP	790.6	21000	72	886.0	461.1	55.5	833.9	434.0	58.9	781.7	407.4	62.6
			67	830.6	566.7	55.2	790.6	558.1	58.5	734.3	524.3	62.3
			62	767.4	699.2	54.3	727.1	663.1	58.1	679.0	619.9	61.9
			57	696.2	696.2	53.8	656.1	656.1	57.6	616.0	616.0	61.4
6ACPSB 960P-HPP	858.9	23000	72	972.9	506.3	60.5	915.6	476.6	64.2	858.3	447.3	68.2
			67	912.1	622.2	60.1	858.9	612.9	63.8	806.2	575.7	68.0
			62	842.7	767.8	59.2	798.5	728.2	63.3	745.6	680.6	67.5
			57	764.5	764.5	58.7	720.3	720.3	62.8	676.2	676.2	66.9
6ACPSB 1020P-HPP	907.7	25800	72	1025.6	533.6	64.1	965.2	502.4	68.0	904.8	471.5	72.3
			67	961.5	656.0	63.6	907.7	646.1	67.5	849.9	606.8	72.0
			62	888.3	809.3	62.6	841.7	767.7	67.0	785.9	717.5	71.5
			57	805.8	805.8	62.1	759.3	759.3	66.5	712.9	712.9	71.0
6ACPSB 1140P-HPP	995.5	26400	72	1127.3	586.6	70.6	1060.8	552.2	74.9	994.4	518.3	79.5
			67	1056.8	720.9	70.0	995.5	710.0	74.4	934.1	667.0	79.2
			62	976.3	889.5	68.9	925.1	843.6	73.8	863.9	788.6	78.6
			57	885.7	885.7	68.3	834.6	834.6	73.2	783.5	783.5	78.0
6ACPSB 1340P-HPP	1190.7	32000	72	1331.5	692.8	84.0	1253.0	652.3	89.2	1174.6	612.1	94.8
			67	1248.2	851.5	83.4	1190.7	838.8	88.6	1103.3	787.8	94.4
			62	1153.2	1050.6	82.1	1092.6	996.5	87.9	1020.3	931.5	93.7
			57	1046.2	1046.2	81.4	985.8	985.8	87.2	925.5	925.5	93.0
6ACPSB 1520P-HPP	1327.4	36000	72	1506.0	783.7	94.1	1417.3	737.8	99.8	1328.6	692.4	106.0
			67	1412.0	963.2	93.4	1327.4	948.7	99.2	1248.0	891.2	105.6
			62	1304.4	1188.4	92.0	1235.9	1127.2	98.4	1154.1	1053.6	104.8
			57	1183.4	1183.4	91.2	1115.1	1115.1	97.6	1046.9	1046.9	104.0

NOTES : 1.) RATINGS ARE GROSS CAPACITIES - FOR NET CAPACITIES , DEDUCT EVAPORATOR BLOWER MOTOR HEAT.
 2.) AT 80 °F (26.6°C) AIR ON EVAPORATOR.
 3.) COMPRESSOR KW INPUT.

SYSTEM HEATING CAPACITY

PERFORMANCE DATA

R22

UNIT MODEL	STD. HTG CAPACITY MBH	AIR VOLUME CFM	DRY BULB TEMP	AIR TEMPERATURE ON CONDENSER COIL - °F					
				35		45		55	
				Capacity (MBH)	KW Input	Capacity (MBH)	KW Input	Capacity (MBH)	KW Input
6ACPRB 30P-HP	32.4	1000	60	28.4	2.1	33.0	2.2	36.6	2.2
			70	27.9	2.2	32.4	2.4	35.9	2.4
			80	27.3	2.4	31.8	2.6	35.2	2.8
6ACPRB 40P-HP	43.2	1400	60	37.9	2.6	44.1	2.8	48.9	2.8
			70	37.2	2.8	43.2	3.1	47.9	3.0
			80	36.4	3.0	42.3	3.3	47.0	3.8
6ACPSB 50P-HP	54.0	1600	60	47.4	3.3	55.1	3.6	61.1	3.9
			70	46.4	3.6	54.0	3.9	59.9	3.8
			80	45.5	3.9	52.9	4.2	58.7	4.5
6ACPSB 68P-HP	65.6	2000	60	57.5	3.4	66.9	3.7	74.1	3.9
			70	56.4	3.7	65.6	4.0	72.7	3.9
			80	55.3	3.9	64.2	4.3	71.3	4.6
6ACPSB 81P-HP	78.8	2400	60	69.1	4.2	80.4	4.5	89.1	4.9
			70	67.8	4.5	78.8	4.9	87.4	4.8
			80	66.4	4.9	77.2	5.3	85.7	5.7
6ACPSB 95P-HP	92.8	2600	60	81.4	4.1	110.2	5.2	104.9	5.6
			70	79.8	4.5	92.8	5.6	102.9	5.5
			80	78.2	4.8	90.9	6.0	100.8	6.5
6ACPSB 108P-HP	108.0	3200	60	94.7	5.5	110.2	6.0	122.1	6.4
			70	92.9	6.0	108.0	6.5	119.8	6.4
			80	91.0	6.4	105.8	7.0	117.4	7.5
6ACPSB 125P-HP	121.5	3500	60	105.7	6.1	122.9	6.6	136.3	7.2
			70	103.7	6.6	120.5	7.2	133.7	7.1
			80	101.6	7.2	118.1	7.7	131.0	8.4
6ACPSB 145P-HP	140.7	4000	60	123.4	6.9	143.5	7.6	159.2	8.1
			70	121.0	7.6	140.7	8.2	156.1	8.0
			80	118.6	8.1	137.9	8.8	153.0	9.5
6ACPSB 160P-HP	162.0	4600	60	142.1	8.3	165.2	9.1	183.2	9.8
			70	139.3	9.1	162.0	9.8	179.7	9.6
			80	136.6	9.8	158.8	10.5	176.1	11.4
6ACPSB 190P-HP	183.6	4800	60	161.0	9.4	187.3	10.2	207.7	11.0
			70	157.9	10.2	183.6	11.1	203.6	10.8
			80	154.8	11.0	179.9	11.9	199.6	12.9
6ACPSB 220P-HP	216.0	5400	60	189.4	10.9	220.3	11.9	244.3	12.8
			70	185.8	11.9	216.0	12.9	239.5	12.6
			80	182.1	12.8	211.7	13.8	234.8	15.0
6ACPSB 250P-HP	243.0	6400	60	213.1	12.3	247.9	13.4	274.8	14.4
			70	209.0	13.4	243.0	14.5	269.5	14.2
			80	204.8	14.4	238.1	15.6	264.1	16.9
6ACPSB 290P-HP	280.8	7500	60	246.3	14.2	286.4	15.5	317.6	16.7
			70	241.5	15.5	280.8	16.7	311.4	16.4
			80	236.7	16.7	275.2	18.0	305.2	19.5
6ACPSB 320P-HP	324.0	8000	60	284.1	16.6	330.5	18.0	366.4	19.4
			70	278.6	18.0	324.0	19.5	359.3	19.1
			80	273.1	19.4	317.5	21.0	352.2	22.8

NOTES: 1.) RATINGS ARE GROSS CAPACITIES - FOR NET CAPACITIES, DEDUCT EVAPORATOR BLOWER MOTOR HEAT.
 2.) AT 80 °F (26.6°C) AIR ON EVAPORATOR.
 3.) COMPRESSOR KW INPUT

SYSTEM HEATING CAPACITY

PERFORMANCE DATA

R22

UNIT MODEL	STD. HTG CAPACITY MBH	AIR VOLUME CFM	DRY BULB TEMP	AIR TEMPERATURE ON CONDENSER COIL - °F					
				35		45		55	
				Capacity (MBH)	KW Input	Capacity (MBH)	KW Input	Capacity (MBH)	KW Input
6ACPSB 380P-HP	378.0	9200	60	331.5	19.4	385.6	21.1	427.5	22.7
			70	325.1	21.1	378.0	22.9	419.2	22.4
			80	318.7	22.7	370.4	24.6	410.9	26.6
6ACPSB 435P-HP	421.2	11500	60	369.4	22.2	429.6	24.2	476.4	26.1
			70	362.2	24.2	421.2	26.2	467.1	25.7
			80	355.0	26.1	412.8	28.2	457.8	30.5
6ACPSB 480P-HP	469.8	12000	60	412.0	24.0	479.2	26.1	531.3	28.1
			70	404.0	26.1	469.8	28.3	521.0	27.7
			80	396.0	28.1	460.4	30.4	510.7	32.9
6ACPSB 510P-HP	496.8	14000	60	435.7	25.5	506.7	27.7	561.9	29.9
			70	427.2	27.7	496.8	30.1	551.0	29.5
			80	418.8	29.9	486.9	32.3	540.0	35.0
6ACPSB 570P-HP	550.8	15000	60	483.1	28.2	561.8	30.7	623.0	33.1
			70	473.7	30.7	550.8	33.3	610.8	32.6
			80	464.3	33.1	539.8	35.8	598.7	38.8
6ACPSB 640P-HP	626.4	16000	60	549.4	31.9	638.9	34.7	708.5	37.4
			70	538.7	34.7	626.4	37.6	694.7	36.9
			80	528.1	37.4	613.9	40.4	680.9	43.8
6ACPSB 700P-HP	691.2	17200	60	549.4	35.3	638.9	38.5	708.5	41.5
			70	538.7	38.5	626.4	41.7	694.7	40.8
			80	528.1	41.5	613.9	44.8	680.9	48.5
6ACPSB 760P-HP	745.2	18000	60	653.5	38.2	760.1	41.6	842.8	44.9
			70	640.9	41.6	745.2	45.1	826.4	44.2
			80	628.2	44.9	730.3	48.5	810.0	52.5
6ACPSB 800P-HP	799.2	19600	60	700.9	40.8	815.2	44.4	903.9	47.8
			70	687.3	44.4	799.2	48.1	886.3	47.1
			80	673.7	47.8	783.2	51.7	868.7	56.0
6ACPSB 890P-HP	874.8	21000	60	767.2	44.4	892.3	48.3	989.4	52.1
			70	752.3	48.3	874.8	52.4	970.2	51.3
			80	737.5	52.1	857.3	56.3	950.9	61.0
6ACPSB 960P-HP	950.4	23000	60	767.2	48.5	892.3	52.7	989.4	56.9
			70	752.3	52.7	874.8	57.2	970.2	56.0
			80	737.5	56.9	857.3	61.4	950.9	66.6
6ACPSB 1020P-HP	1004.4	25800	60	880.9	51.3	1024.5	55.8	1136.0	60.2
			70	863.8	55.8	1004.4	60.5	1113.9	59.3
			80	846.7	60.2	984.3	65.0	1091.8	70.5
6ACPSB 1140P-HP	1101.6	26400	60	966.1	56.5	1123.6	61.5	1245.9	66.3
			70	947.4	61.5	1101.6	66.6	1221.7	65.3
			80	928.6	66.3	1079.6	71.6	1197.4	77.6
6ACPSB 1340P-HP	1317.6	32000	60	1155.6	67.3	1344.0	73.3	1490.2	79.0
			70	1133.2	73.3	1317.6	79.4	1461.2	77.8
			80	1110.6	79.0	1291.2	85.3	1432.1	92.5
ACPSB 1520P-HP	1468.8	36000	60	1288.2	75.4	1498.2	82.0	1661.2	88.4
			70	1263.2	82.0	1468.8	88.8	1628.9	87.1
			80	1238.1	88.4	1439.4	95.5	1596.5	103.5

NOTES: 1.) RATINGS ARE GROSS CAPACITIES - FOR NET CAPACITIES, DEDUCT EVAPORATOR BLOWER MOTOR HEAT.
 2.) AT 80 °F (26.6°C) AIR ON EVAPORATOR.
 3.) COMPRESSOR KW INPUT.

SYSTEM HEATING CAPACITY

PERFORMANCE DATA

R407c

UNIT MODEL	STD. HTG CAPACITY MBH	AIR VOLUME CFM	DRY BULB TEMP	AIR TEMPERATURE ON CONDENSER COIL - °F					
				35		45		55	
				Capacity (MBH)	KW Input	Capacity (MBH)	KW Input	Capacity (MBH)	KW Input
6ACPRB 30P-HPP	31.6	1000	60	27.8	2.1	32.3	2.2	35.8	2.2
			70	27.2	2.2	31.6	2.4	35.1	2.4
			80	26.7	2.4	31.0	2.6	34.4	2.8
6ACPRB 40P-HPP	42.1	1400	60	36.9	2.6	43.0	2.8	47.6	2.8
			70	36.2	2.8	42.1	3.1	46.7	3.0
			80	35.5	3.0	41.3	3.3	45.8	3.8
6ACPSB 50P-HPP	52.7	1600	60	46.2	3.3	53.8	3.6	59.6	3.9
			70	45.3	3.6	52.7	3.9	58.4	3.8
			80	44.4	3.9	51.6	4.2	57.3	4.5
6ACPSB 68P-HPP	63.9	2000	60	56.1	3.4	65.2	3.7	72.3	3.9
			70	55.0	3.7	63.9	4.0	70.9	3.9
			80	53.9	3.9	62.7	4.3	69.5	4.6
6ACPSB 81P-HPP	76.9	2400	60	67.4	4.1	78.4	4.5	87.0	4.8
			70	66.1	4.5	76.9	4.9	85.3	4.8
			80	64.8	4.8	75.4	5.2	83.6	5.7
6ACPSB 95P-HPP	90.5	2600	60	79.4	4.1	107.5	5.2	102.4	5.6
			70	77.8	4.5	90.5	5.6	100.4	5.5
			80	76.3	4.8	88.7	6.0	98.4	6.5
6ACPSB 108P-HPP	105.4	3200	60	92.4	5.5	107.5	6.0	119.2	6.4
			70	90.7	6.0	105.4	6.5	116.9	6.4
			80	88.9	6.4	103.3	7.0	114.6	7.5
6ACPSB 125P-HPP	117.6	3500	60	103.1	6.1	120.0	6.6	133.0	7.2
			70	101.1	6.6	117.6	7.2	130.4	7.1
			80	99.1	7.2	115.3	7.7	127.8	8.4
6ACPSB 145P-HPP	137.4	4000	60	120.5	6.9	140.1	7.6	155.4	8.1
			70	118.1	7.6	137.4	8.2	152.3	8.0
			80	115.8	8.1	134.6	8.8	149.3	9.5
6ACPSB 160P-HPP	158.1	4600	60	138.7	8.4	161.3	9.1	178.8	9.9
			70	136.0	9.1	158.1	9.9	175.3	9.7
			80	133.3	9.9	154.9	10.6	171.9	11.5
6ACPSB 190P-HPP	179.2	4800	60	157.1	9.5	182.8	10.3	202.6	11.1
			70	154.1	10.3	179.2	11.2	198.7	10.9
			80	151.0	11.1	175.6	12.0	194.8	13.0
6ACPSB 220P-HPP	210.8	5400	60	184.9	11.0	215.0	12.0	238.4	12.9
			70	181.3	12.0	210.8	13.0	233.8	12.7
			80	177.7	12.9	206.6	13.9	229.2	15.1
6ACPSB 250P-HPP	237.2	6400	60	208.0	12.4	241.9	13.5	268.2	14.5
			70	204.0	13.5	237.2	14.6	263.0	14.3
			80	199.9	14.5	232.4	15.7	257.8	17.0
6ACPSB 290P-HPP	274.1	7500	60	240.4	14.3	279.6	15.5	310.0	16.7
			70	235.7	15.5	274.1	16.8	304.0	16.5
			80	231.1	16.7	268.6	18.1	298.0	19.6
6ACPSB 320P-HPP	316.2	8000	60	277.3	16.6	322.5	18.1	357.6	19.5
			70	272.0	18.1	316.2	19.6	350.7	19.2
			80	266.6	19.5	309.9	21.1	343.7	22.9

NOTES: 1.) RATINGS ARE GROSS CAPACITIES - FOR NET CAPACITIES, DEDUCT EVAPORATOR BLOWER MOTOR HEAT.
 2.) AT 80 °F (26.6°C) AIR ON EVAPORATOR.
 3.) COMPRESSOR KW INPUT

SYSTEM HEATING CAPACITY

PERFORMANCE DATA

R407c

UNIT MODEL	STD. HTG CAPACITY MBH	AIR VOLUME CFM	DRY BULB TEMP	AIR TEMPERATURE ON CONDENSER COIL - °F					
				35		45		55	
				Capacity (MBH)	KW Input	Capacity (MBH)	KW Input	Capacity (MBH)	KW Input
6ACPSB 380P-HPP	368.9	9200	60	323.5	19.5	376.3	21.2	417.3	22.8
			70	317.3	21.2	368.9	23.0	409.1	22.5
			80	311.0	22.8	361.5	24.7	401.0	26.7
6ACPSB 435P-HPP	411.0	11500	60	360.5	22.3	419.3	24.3	464.9	26.2
			70	353.5	24.3	411.0	26.3	455.9	25.8
			80	346.5	26.2	402.8	28.3	446.8	30.6
6ACPSB 480P-HPP	458.6	12000	60	402.2	24.1	467.7	26.3	518.6	28.3
			70	394.4	26.3	458.6	28.4	508.6	27.9
			80	386.6	28.3	449.4	30.6	498.5	33.1
6ACPSB 510P-HPP	484.9	14000	60	425.3	25.6	494.6	27.9	548.4	30.1
			70	417.0	27.9	484.9	30.2	537.8	29.6
			80	408.8	30.1	475.2	32.5	527.1	35.2
6ACPSB 570P-HPP	537.6	15000	60	471.5	28.4	548.4	30.9	608.1	33.3
			70	462.4	30.9	537.6	33.5	596.2	32.8
			80	453.2	33.3	526.9	36.0	584.4	39.0
6ACPSB 640P-HPP	611.4	16000	60	536.2	32.1	623.6	34.9	691.5	37.6
			70	525.8	34.9	611.4	37.8	678.0	37.0
			80	515.4	37.6	599.2	40.6	664.6	44.0
6ACPSB 700P-HPP	674.6	17200	60	591.6	35.5	688.1	38.6	762.9	41.6
			70	580.1	38.6	674.6	41.9	748.1	41.0
			80	568.7	41.6	661.1	45.0	733.3	48.8
6ACPSB 760P-HPP	727.3	18000	60	637.8	38.5	741.8	41.9	822.5	45.1
			70	625.5	41.9	727.3	45.4	806.5	44.5
			80	613.1	45.1	712.7	48.8	790.5	52.8
6ACPSB 800P-HPP	780.0	19600	60	684.0	41.0	795.6	44.6	882.2	48.1
			70	670.8	44.6	780.0	48.3	865.0	47.4
			80	657.5	48.1	764.4	52.0	847.8	56.3
6ACPSB 890P-HPP	853.8	21000	60	748.8	44.6	870.9	48.6	965.7	52.4
			70	734.3	48.6	853.8	52.7	946.9	51.6
			80	719.8	52.4	836.8	56.6	928.1	61.3
6ACPSB 960P-HPP	927.6	23000	60	813.5	48.7	946.2	53.0	1049.1	57.1
			70	797.7	53.0	927.6	57.4	1028.7	56.3
			80	782.0	57.1	909.1	61.7	1008.3	66.9
6ACPSB 1020P-HPP	980.3	25800	60	859.7	51.5	999.9	56.1	1108.7	60.4
			70	843.1	56.1	980.3	60.8	1087.2	59.5
			80	826.4	60.4	960.7	65.3	1065.6	70.8
6ACPSB 1140P-HPP	1075.1	26400	60	942.9	56.8	1096.6	61.8	1216.0	66.6
			70	924.6	61.8	1075.1	67.0	1192.3	65.6
			80	906.3	66.6	1053.6	72.0	1168.7	78.0
6ACPSB 1340P-HPP	1286.0	32000	60	1127.8	67.6	1311.7	73.6	1454.4	79.3
			70	1106.0	73.6	1286.0	79.7	1426.2	78.1
			80	1084.0	79.3	1260.2	85.7	1397.7	92.9
6ACPSB 1520P-HPP	1433.6	36000	60	1257.3	75.7	1462.3	82.4	1621.4	88.9
			70	1232.9	82.4	1433.6	89.3	1589.9	87.5
			80	1208.4	88.9	1404.9	96.0	1558.2	104.0

NOTES : 1.) RATINGS ARE GROSS CAPACITIES - FOR NET CAPACITIES , DEDUCT EVAPORATOR BLOWER MOTOR HEAT.
 2.) AT 80 °F (26.6°C) AIR ON EVAPORATOR.
 3.) COMPRESSOR KW INPUT.

BLOWER PERFORMANCE

Available External Static Pressure - IWG - For Accessories And Duct System Static Resistance
(Allowance Made For Wet Coil And Filters)

A.) 6ACPSB 30P-HP to 145P-HP (Direct Drive)

ACPRB 30P-HP		ACPRB 40P-HP		ACPSB 50P-HP		ACPSB 68P-HP		ACPSB 81P-HP		ACPSB 95P-HP		ACPSB 108P-HP		ACPSB 125P-HP		ACPSB 145P-HP	
DD 9-7		DD 9-7		DD 9 - 9		DD 9 - 9		DD 10 - 10		DD 10 - 10		2 x (DD 10 - 10)		2 x (DD 10 - 10)		2 x (DD 10 - 10)	
CFM	ESP	CFM	ESP	CFM	ESP	CFM	ESP	CFM	ESP	CFM	ESP	CFM	ESP	CFM	ESP	CFM	ESP
900	1.11	1300	0.88	1400	0.88	1900	0.82	2400	0.96	2400	0.87	3000	1.06	3400	0.84	3900	1.27
1000	1.04	1400	0.73	1500	0.77	2000	0.68	2500	0.75	2500	0.64	3100	1.01	3500	0.77	4000	1.22
1100	0.95	1500	0.50	1600	0.63	2100	0.58	2600	0.56	2600	0.46	3200	0.99	3600	0.71	4100	1.17
1200	0.82	1600	0.18	1700	0.40	2200	0.47	2700	0.30	2700	0.19	3300	0.94	3700	0.65	4200	1.14

B.) 6ACPSB 160P-HP to 1520P-HP

RPM	CFM										FAN MODEL	
	SP	BHP	SP	BHP	SP	BHP	SP	BHP	SP	BHP		
6ACPSB 160P-HP												15-15
	4000		4400		4600		4800		5000			
650	0.39	1.08	0.32	1.25	0.28	1.34	0.23	1.44	0.17	1.53		
750	0.72	1.36	0.68	1.55	0.64	1.65	0.60	1.76	0.56	1.87		
850	1.07	1.68	1.04	1.90	1.02	2.01	1.00	2.14	0.97	2.27		
950	1.44	2.04	1.43	2.29	1.42	2.43	1.40	2.56	1.38	2.70		
6ACPSB 190P-HP												15-15
	4000		4400		4800		5000		5200			
700	0.48	1.22	0.41	1.40	0.31	1.591	0.27	1.703	0.21	1.4		
800	0.82	1.52	0.77	1.72	0.70	1.95	0.67	2.07	0.62	2.19		
900	1.18	1.85	1.14	2.09	1.10	2.34	1.07	2.48	1.04	2.62		
1000	1.56	2.25	1.54	2.51	1.51	2.79	1.50	2.95	1.47	3.10		
6ACPSB 220P-HP												15-15
	4600		5000		5400		5800		6200			
800	0.76	1.83	0.70	2.07	0.60	2.319	0.48	2.592	0.35	2.891		
900	1.15	2.21	1.10	2.48	1.03	2.76	0.94	3.07	0.83	3.40		
1000	1.55	2.64	1.53	2.95	1.48	3.27	1.41	3.61	1.32	3.97		
1100	1.98	3.14	1.98	3.47	1.95	3.83	1.89	4.20	1.83	4.61		
6ACPSB 250P-HP												18-13
	5600		6000		6400		6800		7200			
600	0.43	1.99	0.34	2.213	0.23	2.447	-	-	-	-		
700	0.93	2.51	0.85	2.78	0.77	3.06	0.67	3.35	0.55	3.67		
800	1.45	3.10	1.40	3.42	1.33	3.75	1.26	4.09	1.18	3.96		
900	2.01	3.77	1.97	4.13	1.93	4.51	1.87	4.71	1.80	5.33		
6ACPSB 290P-HP												18-13
	6500		7000		7500		8000		8500			
700	0.82	3.13	0.70	3.57	0.55	3.91	0.37	4.33	0.17	4.77		
800	1.40	3.83	1.30	4.27	1.18	4.74	1.04	5.33	0.87	5.75		
900	1.99	4.61	1.93	5.12	1.84	5.66	1.72	6.22	1.59	6.83		
1000	2.63	5.47	2.65	6.05	2.52	6.67	2.43	7.31	2.33	7.99		
6ACPSB 320P-HP												18-18
	7200		7600		8000		8400		8800			
700	0.86	3.21	0.80	3.46	0.74	3.74	0.67	4.03	0.59	4.33		
800	1.37	3.96	1.33	4.27	1.28	4.59	1.22	4.92	1.16	5.27		
900	1.92	4.83	1.89	5.18	1.85	5.54	1.81	5.93	1.76	6.33		
1000	2.50	5.80	2.48	6.20	2.45	6.61	2.42	7.04	2.39	7.49		
6ACPSB 380P-HP												18-18
	7600		8400		9200		10000		10800			
600	0.40	2.77	0.24	3.23	0.06	3.76	-	-	-	-		
700	0.88	3.47	0.76	4.03	0.61	4.64	0.41	5.29	0.21	6.01		
800	1.41	4.26	1.31	4.92	1.19	5.64	1.03	6.39	0.85	7.22		
900	1.96	5.18	1.90	5.93	1.80	6.74	1.67	7.61	1.52	8.55		
6ACPSB 435P-HP												450x450 (mm)
	9200		10400		11500		12400		13200			
700	0.72	4.48	0.47	5.39	0.16	6.31	-	-	-	-		
800	1.26	5.53	1.08	6.57	0.84	7.64	0.59	8.55	0.33	9.47		
900	1.82	6.78	1.70	7.92	1.52	9.11	1.32	10.18	1.11	11.21		
1000	2.38	8.17	2.32	9.48	2.19	10.79	2.06	12.00	1.88	13.12		
6ACPSB 480P-HP												500x500 (mm)
	10400		11200		12000		12800		13600			
600	0.65	4.18	0.54	4.66	0.41	5.18	0.26	5.74	0.09	6.34		
700	1.21	5.35	1.13	5.92	1.03	6.52	0.91	7.16	0.77	7.85		
800	1.78	6.71	1.74	7.38	1.67	8.07	1.59	8.82	1.49	9.63		
900	2.40	8.32	2.37	9.05	2.34	9.87	2.29	10.74	2.21	11.61		

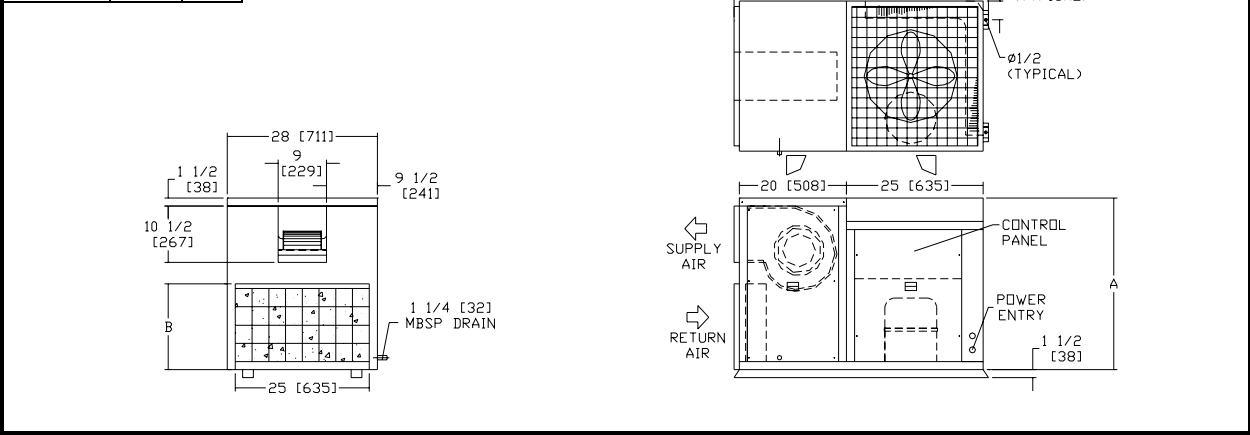
BLOWER PERFORMANCE

RPM	CFM										FAN MODEL
	SP	BHP	SP	BHP	SP	BHP	SP	BHP	SP	BHP	
6ACPSB 510P-HP											
	12400		13200		14000		14800		15600		500x500 (mm)
600	0.31	5.45	0.14	6.03	-	-	-	-	-	-	
700	0.95	6.84	0.82	7.53	0.67	8.24	0.49	8.99	0.28	9.76	
800	1.60	8.43	1.50	9.21	1.39	10.03	1.25	10.91	1.08	11.81	
900	2.29	10.29	2.22	11.18	2.13	12.08	2.02	13.06	1.89	14.09	
6ACPSB 570P-HP											
	12000		13000		14000		15000		16000		500x500 (mm)
600	0.38	5.18	0.18	5.89	-	-	-	-	-	-	
700	1.00	6.52	0.84	7.34	0.65	8.22	0.43	9.18	0.19	10.21	
800	1.64	8.07	1.51	8.99	1.37	10.01	1.19	11.11	0.99	12.29	
850	1.97	8.94	1.87	9.95	1.75	11.03	1.59	12.20	1.40	13.42	
6ACPSB 640P-HP											
	14000		15000		16000		17000		18000		560x560 (mm)
600	0.87	6.81	0.75	7.49	0.60	8.21	0.45	9.027	0.26	9.87	
650	1.20	7.72	1.11	8.51	0.98	9.30	0.83	10.14	0.66	11.06	
700	1.54	8.78	1.47	9.61	1.36	10.47	1.24	11.41	1.07	12.34	
750	1.89	9.90	1.84	10.81	1.74	11.71	1.65	12.76	1.51	13.80	
6ACPSB 700P-HP											
	15200		16200		17200		18200		19200		560x560 (mm)
650	0.98	8.68	0.84	9.49	0.68	10.35	0.49	11.257	0.29	12.21	
700	1.34	9.75	1.22	10.66	1.08	11.59	0.91	12.58	0.74	13.65	
750	1.71	10.98	1.61	11.94	1.49	12.95	1.33	13.98	1.18	15.14	
800	2.09	12.29	2.01	13.33	1.91	14.42	1.78	15.56	1.62	16.70	
6ACPSB 760P-HP											
	16000		17000		18000		19000		20000		560x560 (mm)
650	0.91	9.33	0.75	10.17	0.58	11.085	0.39	12.052	0.15	13.00	
700	1.29	10.50	1.15	11.41	0.98	12.34	0.82	13.42	0.61	14.49	
750	1.67	11.74	1.56	12.76	1.42	13.80	1.26	14.89	1.08	16.09	
800	2.05	13.05	1.97	14.20	1.85	15.32	1.70	16.46	1.53	17.70	
6ACPSB 800P-HP											
	16600		18100		19600		21100		22600		630x630 (mm)
600	1.57	10.05	1.52	11.28	1.45	12.60	1.35	14.00	1.22	15.51	
650	1.94	11.56	1.90	12.87	1.85	14.32	1.78	15.88	1.67	17.51	
700	2.32	13.19	2.30	14.64	2.26	16.23	2.21	17.91	2.12	19.62	
750	2.72	14.98	2.73	16.61	2.69	18.22	2.66	20.06	2.60	22.00	
6ACPSB 890P-HP											
	19000		20500		22000		23500		25000		630x630 (mm)
600	1.41	12.02	1.31	13.38	1.18	14.58	1.03	16.41	0.85	18.09	
650	1.81	13.72	1.75	15.29	1.64	16.87	1.51	18.54	1.34	20.29	
700	2.23	15.61	2.17	17.21	2.09	18.98	1.99	20.82	1.84	22.69	
750	2.66	17.63	2.60	19.29	2.53	21.15	2.47	23.22	2.36	25.33	
6ACPSB 960P-HP											
	20000		21500		23000		24500		26000		630x630 (mm)
600	1.38	12.96	1.26	14.36	1.12	15.89	0.94	17.50	0.74	19.21	
650	1.79	14.72	1.70	16.29	1.60	18.02	1.44	19.74	1.27	21.60	
700	2.22	16.68	2.16	18.43	2.05	20.14	1.93	22.08	1.79	24.11	
750	2.65	18.74	2.61	20.63	2.54	22.59	2.43	24.61	2.31	26.77	
6ACPSB 1020P-HP											
	22800		24300		25800		27300		28800		710x710 (mm)
550	1.56	14.55	1.49	15.84	1.40	17.24	1.29	18.63	1.16	20.13	
600	2.02	16.95	1.97	18.39	1.88	19.82	1.80	21.42	1.68	23.01	
650	2.50	19.61	2.46	21.16	2.39	22.75	2.32	24.44	2.23	26.25	
700	3.00	22.53	2.96	24.14	2.91	25.90	2.87	27.83	2.79	29.74	
6ACPSB 1140P-HP											
	23200		24800		26400		28000		29600		710x710 (mm)
500	1.18	12.72	1.08	13.97	0.96	15.29	0.84	16.77	0.69	18.28	
550	1.63	14.92	1.54	16.26	1.44	17.71	1.34	19.35	1.21	21.01	
600	2.08	17.28	2.02	18.81	1.94	20.42	1.86	2.21	1.74	23.97	
650	2.58	20.06	2.52	21.65	2.46	23.41	2.38	25.25	2.29	27.23	
6ACPSB 1340P-HP											
	28000		30000		32000		34000		36000		800x800 (mm)
450	1.30	15.75	1.23	17.42	1.14	19.15	1.02	20.96	0.89	22.90	
500	1.82	18.86	1.75	20.62	1.67	22.52	1.58	24.61	1.47	26.78	
550	2.35	22.23	2.31	24.28	2.24	26.34	2.16	28.61	2.06	30.95	
600	2.91	25.98	2.87	28.14	2.83	30.51	2.78	33.11	2.69	35.64	
6ACPSB 1520P-HP											
	33000		34500		36000		37500		39000		800x800 (mm)
450	0.96	20.07	0.87	21.56	0.77	23.03	0.66	24.56	0.54	26.20	
500	1.50	23.55	1.42	25.18	1.33	26.79	1.24	28.53	1.12	30.25	
550	2.07	27.43	3.00	29.21	1.93	31.04	1.85	32.93	1.75	34.87	
600	2.67	31.73	2.62	33.74	2.56	35.73	2.49	37.78	2.40	39.89	

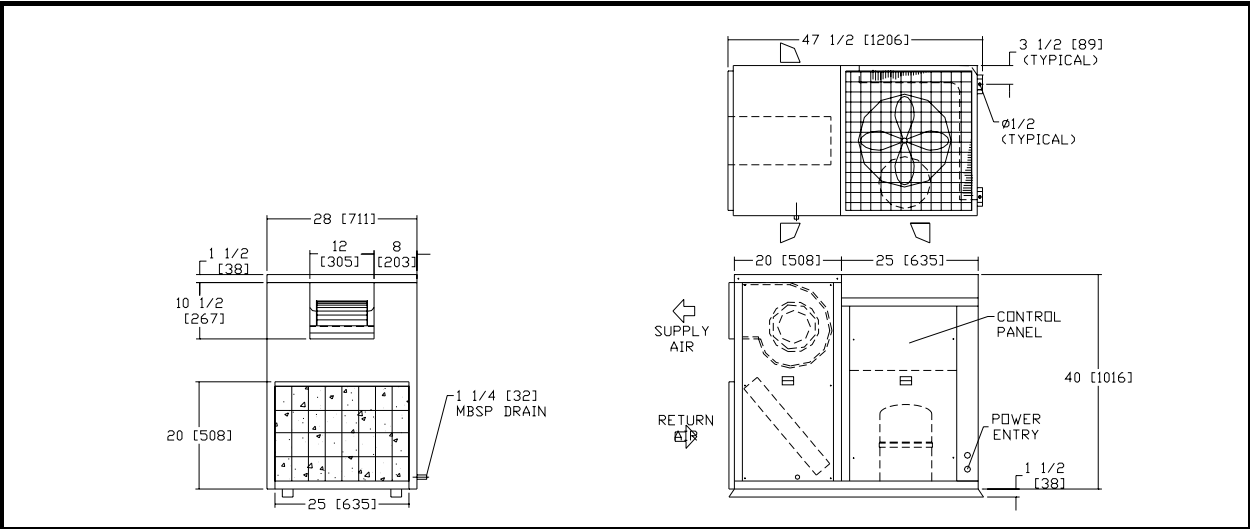
DIMENSIONAL DATA

6ACPRB 30P-HP, 40P-HP

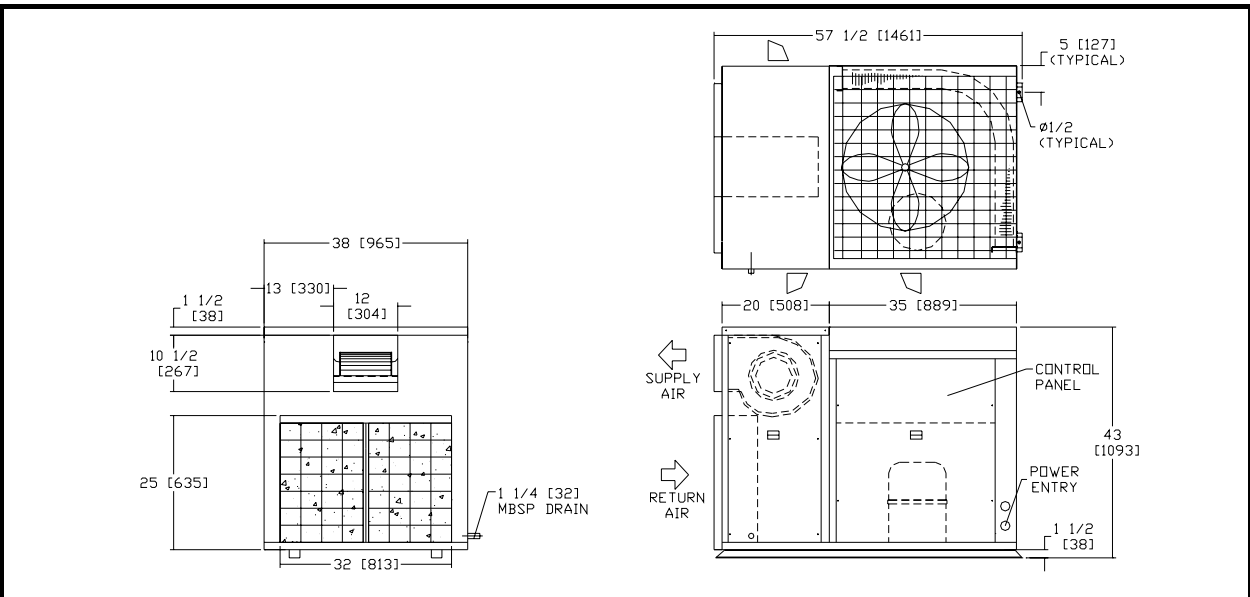
MODEL	A	B
6ACPRB 30P	32 [813]	16 [406]
6ACPRB 40P	40 [1016]	20 [508]



6ACPSB 50P-HP



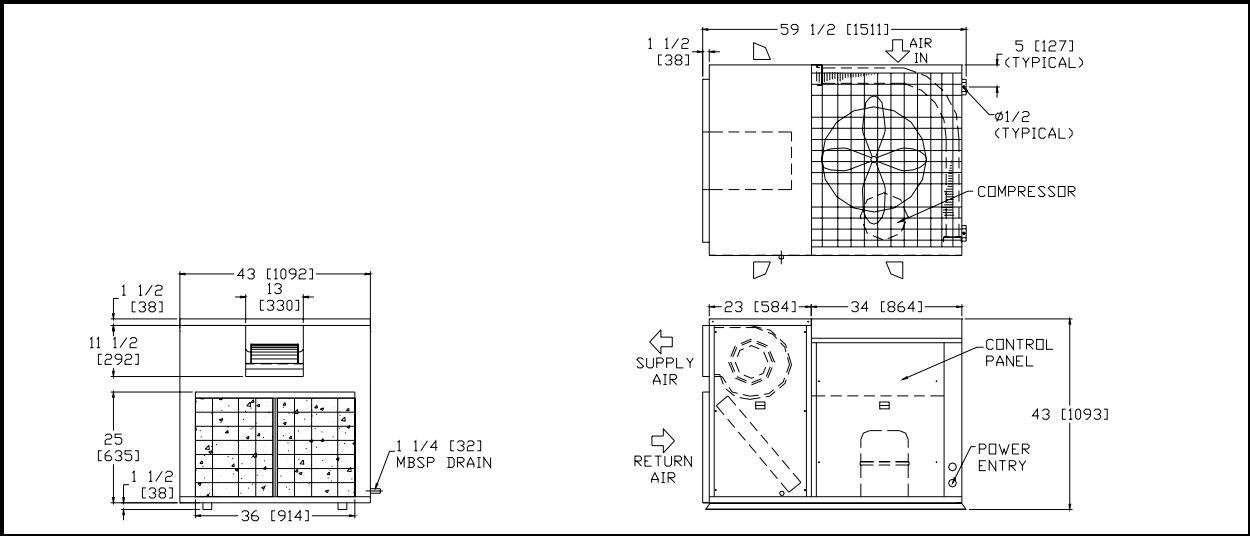
6ACPSB 68P-HP



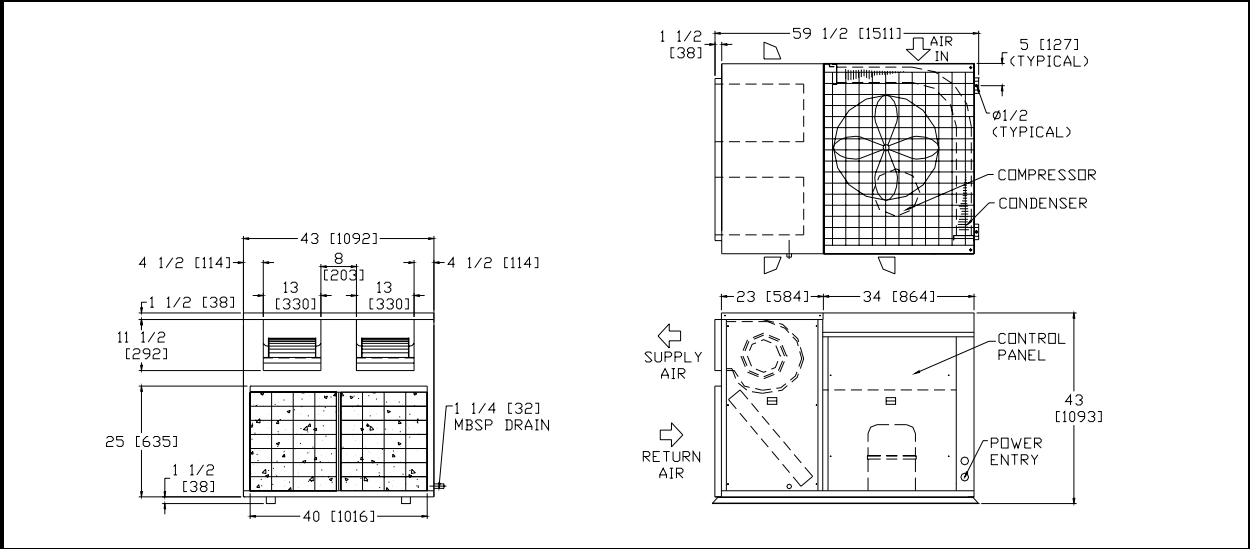
NOTE: ALL DIMENSIONS ARE IN INCHES [MM].

DIMENSIONAL DATA

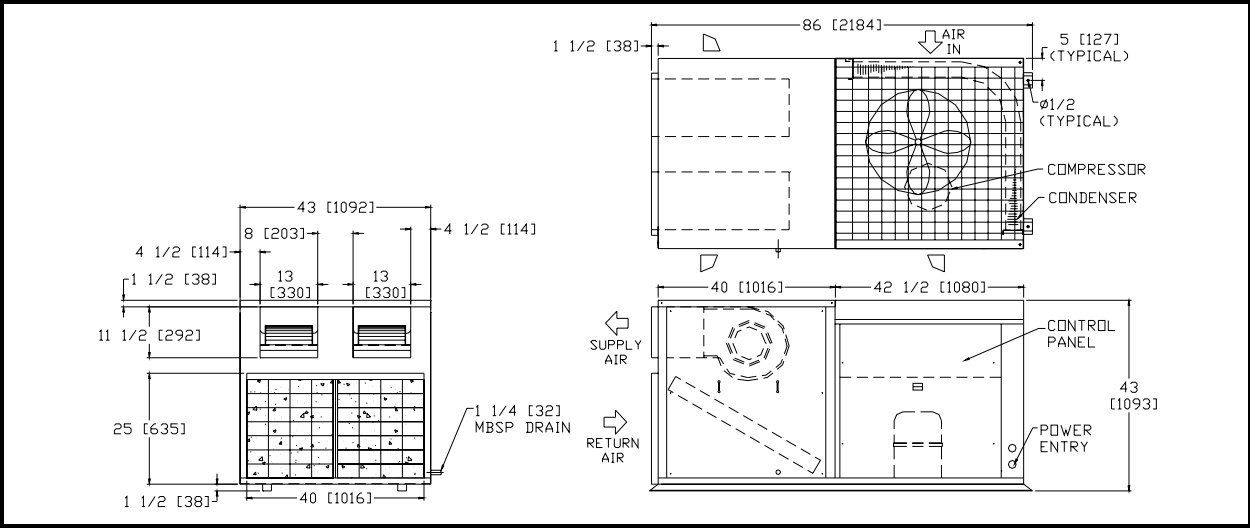
6ACPSB 81P-HP, 95P-HP



6ACPSB 108P-HP, 125P-HP



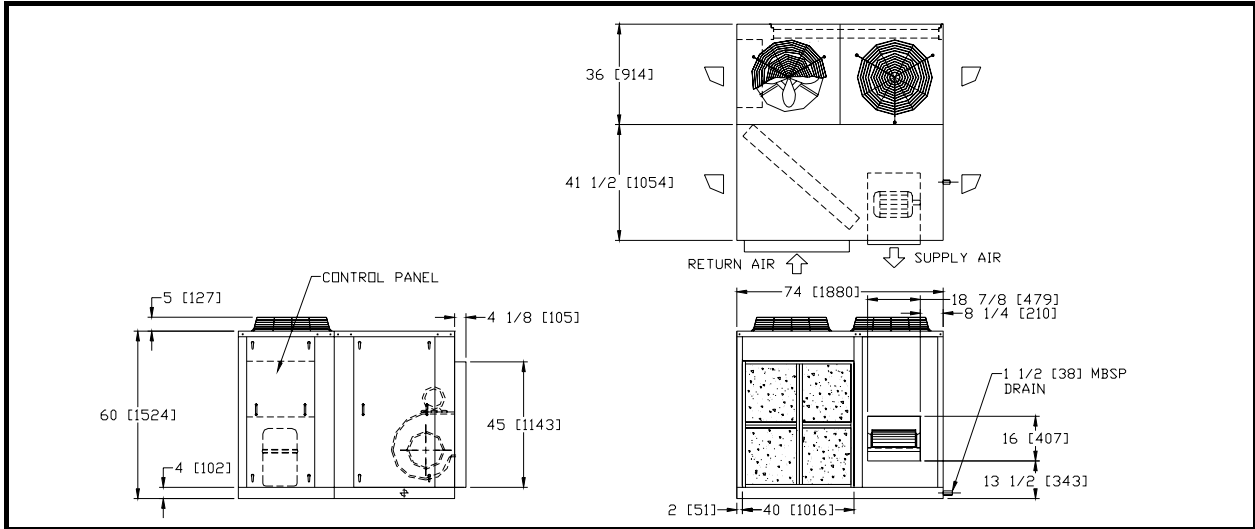
6ACPSB 145P-HP



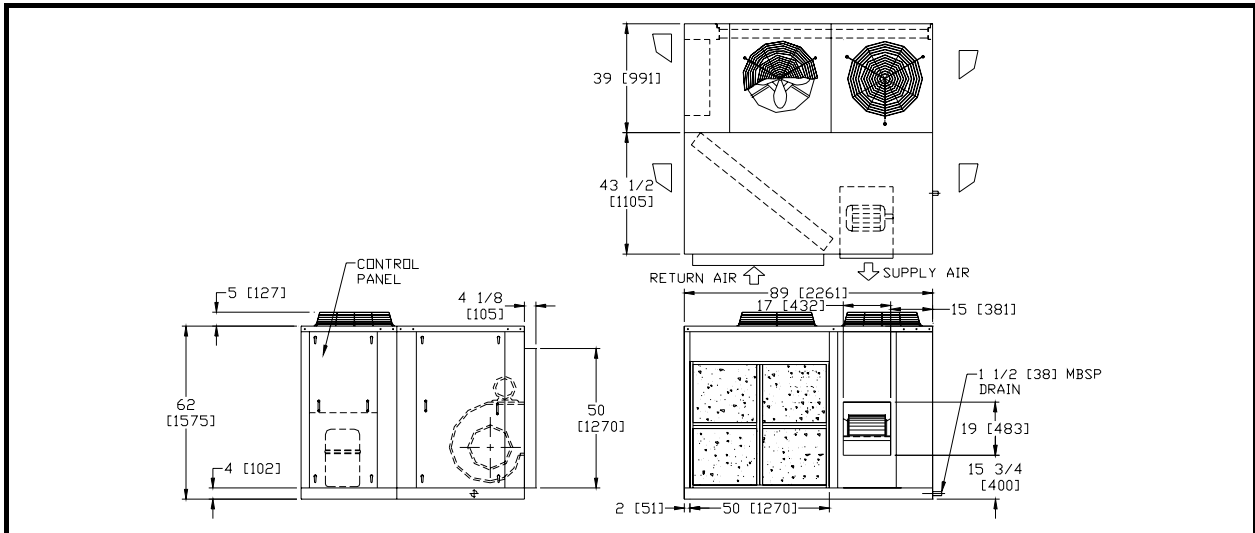
NOTE: ALL DIMENSIONS ARE IN INCHES[MM].

DIMENSIONAL DATA

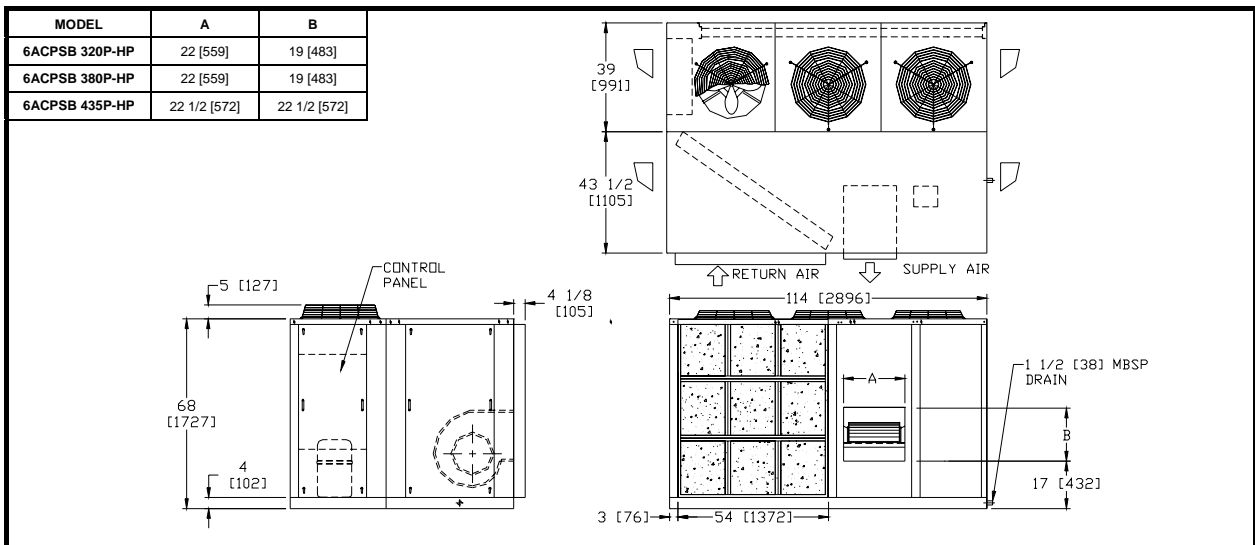
6ACPSB 160P-HP, 190P-HP, 220P-HP



6ACPSB 250P-HP, 290P-HP



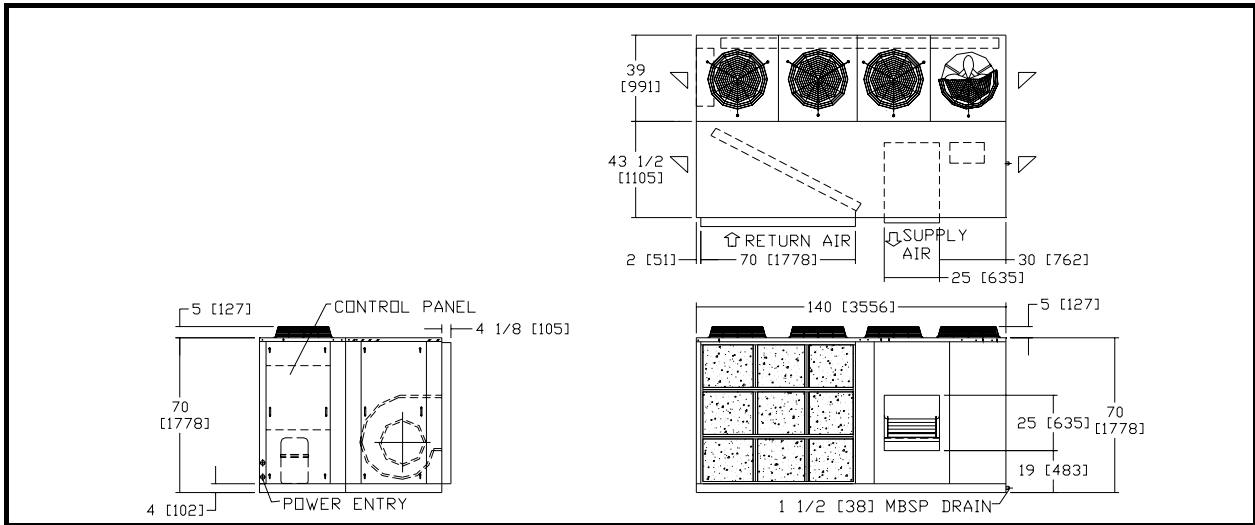
6ACPSB 320P-HP, 380P-HP, 435P-HP



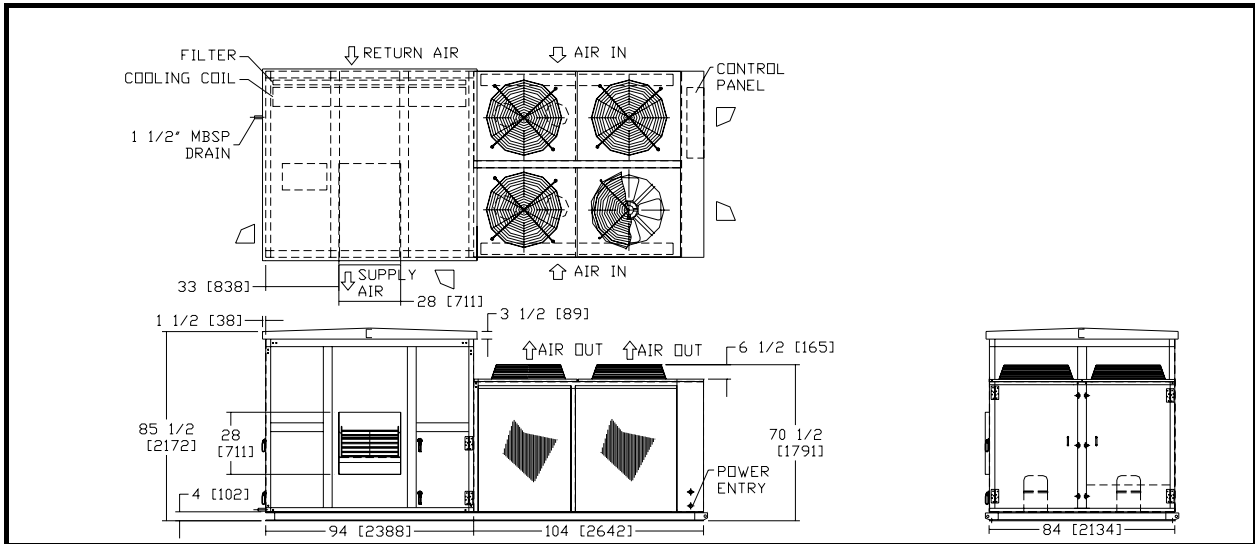
NOTE: ALL DIMENSIONS ARE IN INCHES[MM].

DIMENSIONAL DATA

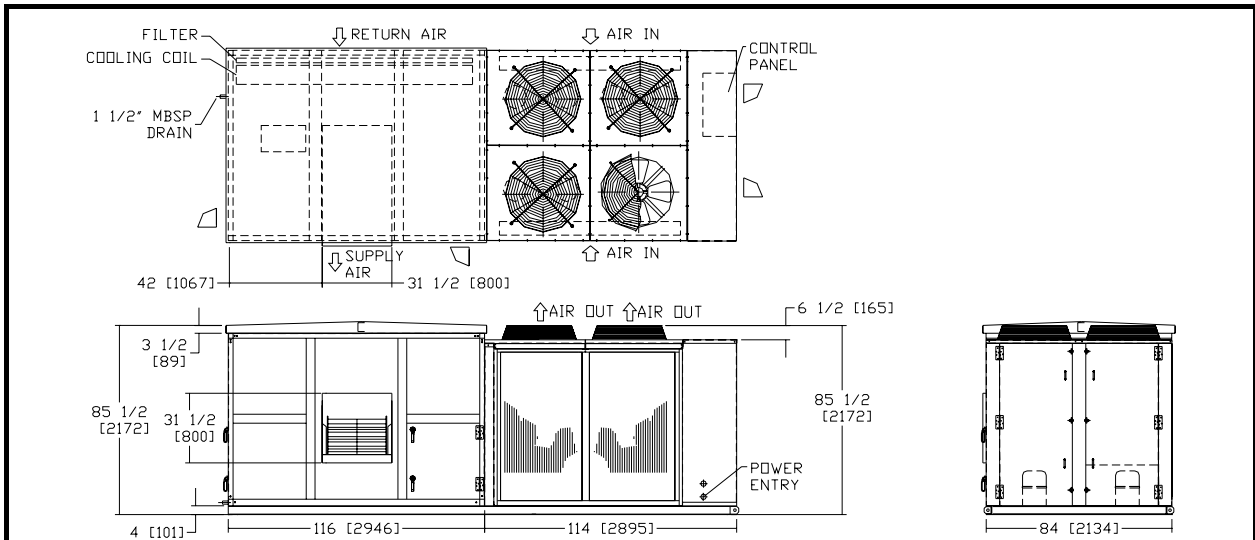
6ACPSB 480P-HP, 510P-HP, 570P-HP



6ACPSB 640P-HP, 700P-HP, 760P-HP



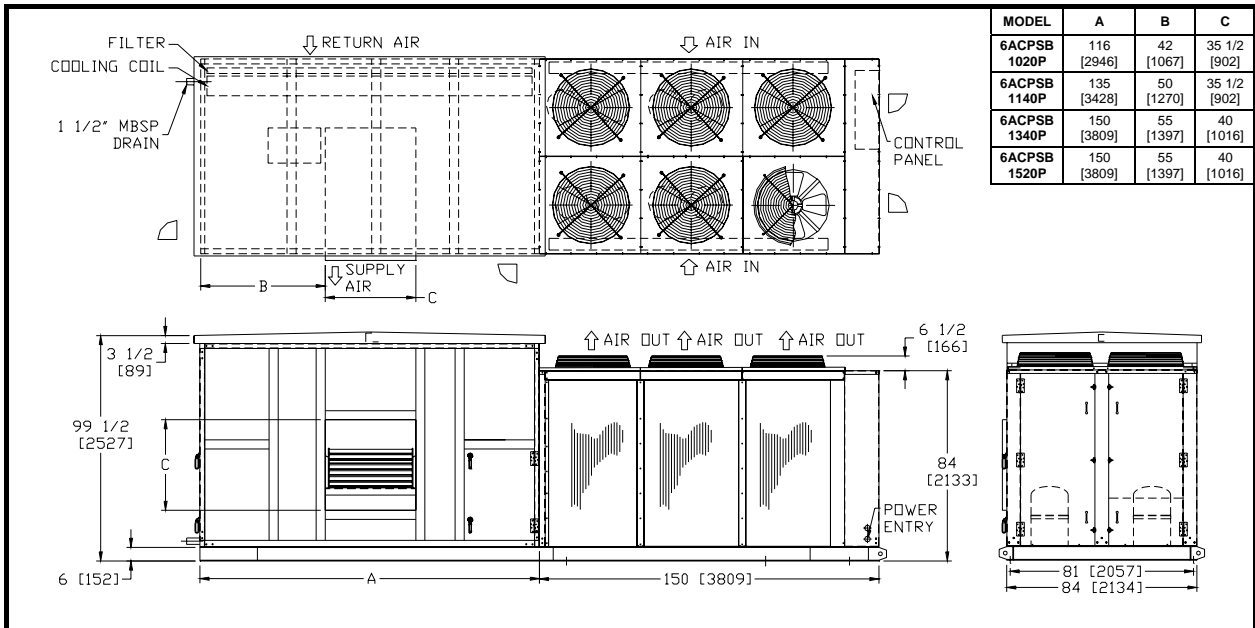
6ACPSB 800P-HP, 890P-HP, 960P-HP



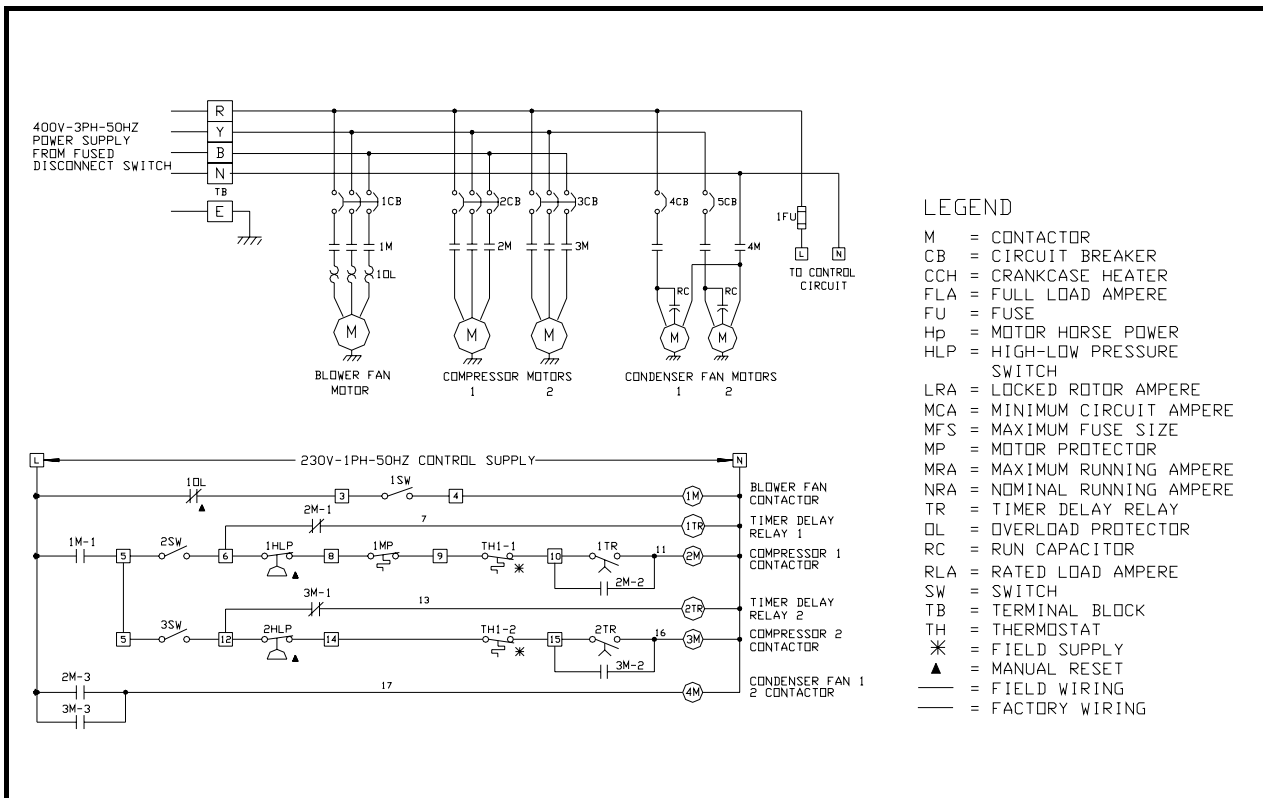
NOTE: ALL DIMENSIONS ARE IN INCHES[MM].

DIMENSIONAL DATA

6ACPSB 1020P-HP, 1140P-HP, 1340P-HP, 1520P-HP



TYPICAL WIRING SCHEMATIC



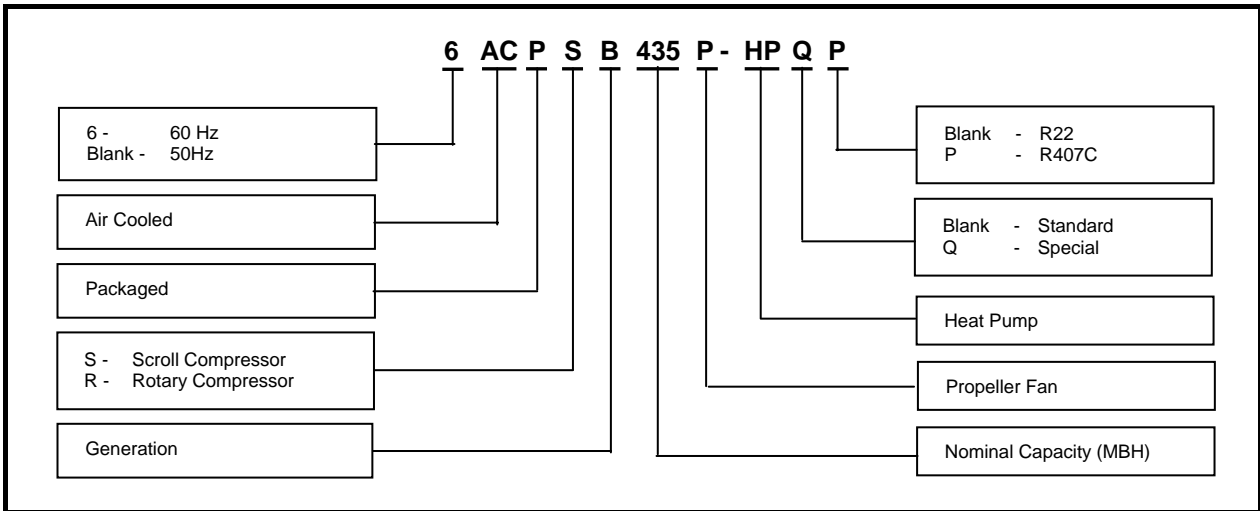
PHYSICAL DATA

Model	Compressor					Condenser Coil		Condenser Fan				Evaporator Blower				Evaporator Coil		Air Filter		R-22 Charge	Approx. Operating Weight (Lbs)
	Qty	Power Supply	MRA	LRA	NRA	Face Area Sq. Ft	Rows/ FPI	Qty	Blade Dia. Each	Mtr. Hp Each	Mtr FLA	Blower		Mtr MAX HP	Fan Cfm Min-Max Cfm	Face Area Sq.Ft	Row/ FPI	Qty	Size (Inch)	Qty. X Lbs Per Comp.	
			Each	Each	Each							Qty	Size (Inch)								
6ACPRB 30P-HP	1	230-1-60Hz	-	1x62	1x12.5	4.6	3/12	1	18	1/5	1.3	1	9x7	0.6	650 1280	2.1	3/12	1	16x25x1	1x3.5	550
6ACPRB 40P-HP	1	230-1-60Hz	-	1x45	1x16.4	7.2	3/12	1	18	1/5	1.3	1	9x7	0.6	920 1800	3.1	3/12	1	20x25x1	1x3.7	600
6ACPSB 50P-HP	1	460-3-60Hz	-	1x56	1x8.2	8.3	3/12	1	20	1/5	1.3	1	9x9	0.6	1100 2200	3.7	3/12	1	20x25x1	1x4.8	650
6ACPSB 68P-HP	1	460-3-60Hz	-	1x45	1x9.3	8.3	2/12	1	26	1/3 or 1/2	1.8-3.4	1	9x9	1.0	1400 2800	4.7	3/12	2	16x25x1	1x5.9	1100
6ACPSB 81P-HP	1	460-3-60Hz	1x15.0	1x101	1x10.5	9.4	3/12	1	26	1/3 or 1/2	1.8-3.4	1	10x10	1.0	1550 3100	5.2	3/12	1	16x25x1 20x25x1	1x8.3	1200
6ACPSB 95P-HP	1	460-3-60Hz	1x15.6	1x95	1x12.5	10.9	3/12	1	26	1/3 or 1/2	1.8-3.4	1	10x10	1.0	1550 3100	5.2	4/12	1	16x25x1 20x25x1	1x9.9	1300
6ACPSB 108P-HP	1	460-3-60Hz	1x16.8	1x111	1x13.7	14.2	3/12	1	26	1/3 or 1/2	1.8-3.4	2	10x10	0.75	1850 3600	6.1	4/12	2	20x25x1	1x12.3	1500
6ACPSB 125P-HP	1	460-3-60Hz	1x19.6	1x118	1x15.8	16.3	3/12	1	26	1/3 or 1/2	1.8-3.4	2	10x10	0.75	2000 3900	6.6	4/12	2	20x25x1	1x13.2	1600
6ACPSB 145P-HP	1	460-3-60Hz	1x22.3	1x118	1x17.6	19.2	3/12	1	26	1/3 or 1/2	1.8-3.4	2	10x10	1.0	2600 5100	8.5	4/12	2	20x25x1	1x17.6	1750
6ACPSB 160P-HP	1	460-3-60Hz	1x25.6	1x167	1x19.1	19.5	3/12	2	26	5/8	1.9	1	15x15	5.5	3500 7000	11.7	3/12	2	20x20x2 20x25x2	1x16.0	2100
6ACPSB 190P-HP	1	460-3-60Hz	1x30.0	1x198	1x23.7	19.5	3/12	2	26	5/8	1.9	1	15x15	5.5	3500 7000	11.7	4/12	2	20x20x2 25x20x2	1x23.8	2300
6ACPSB 220P-HP	1	460-3-60Hz	2x16.8	2x111	2x13.7	19.5	4/12	2	26	5/8	1.9	1	15x15	5.5	3700 7300	12.3	4/12	2	20x20x2 25x20x2	1x25.3	2600
6ACPSB 250P-HP	2	460-3-60Hz	2x19.6	2x118	2x15.8	27.4	4/12	2	26	5/8	1.9	1	18x13	7.5	4400 8700	14.6	4/12	4	25x25x2	2x13.2	2800
6ACPSB 290P-HP	2	460-3-60Hz	2x22.3	2x118	2x17.6	27.4	5/12	2	26	5/8	1.9	1	18x13	7.5	5000 10000	16.7	4/12	4	25x25x2	2x17.6	3000
6ACPSB 320P-HP	2	460-3-60Hz	2x25.6	2x167	2x19.1	37.5	4/12	3	26	5/8	1.9	1	18x18	10.0	5850 11600	19.4	4/12	2	16x25x2 20x25x2	2x16.0	4000
6ACPS B 380P-HP	2	460-3-60Hz	2x30.0	2x198	2x23.7	37.5	5/12	3	26	5/8	1.9	1	18x18	10.0	6700 13400	22.4	4/12	3	16x20x2 20x20x2	2x23.8	4400
6ACPSB 435P-HP	2	460-3-60Hz	3x22.3	3x118	3x17.6	40.0	5/12	3	26	5/8	1.9	1	450x450	20.0	7000 14000	23.3	4/12	3	16x20x2 20x20x2	2x25.3	4700
6ACPSB 480P-HP	3	460-3-60Hz	3x25.6	3x167	3x19.1	48.3	4/12	4	26	5/8	1.9	1	500x500	20.0	8900 17900	29.9	3/12	2	20x20x2 20x25x2 25x25x2	3x16.0	5500
6ACPSB 510P-HP	3	460-3-60Hz	2x25.6 1x30.0	2x167 1x198	2x19.1 1x23.7	48.3	4/12	4	26	5/8	1.9	1	500x500	20.0	8900 17900	29.9	3/12	2	20x20x2 20x25x2 25x25x2	3x23.8	5700
6ACPSB 570P-HP	3	460-3-60Hz	3x30.0	3x198	3x23.7	48.3	5/12	4	26	5/8	1.9	1	500x500	20.0	8900 17900	29.9	4/12	2	20x20x2 20x25x2 25x25x2	2x23.8 1x25.3	5950
6ACPSB 640P-HP	3	460-3-60Hz	4x25.6	4x167	4x19.1	65.3	3/12	4	31.5	1 1/2	3.2	1	560x560	30.0	10000 20000	33.4	4/12	4	20x20x2 20x25x2	3x25.3	6500
6ACPSB 700P-HP	4	460-3-60Hz	2x25.6 2x30.0	2x167 2x198	2x19.1 2x23.7	65.3	4/12	4	31.5	1 1/2	3.2	1	560x560	30.0	10000 20000	33.4	4/12	4	20x20x2 20x25x2	4x23.8	6650
6ACPSB 760P-HP	4	460-3-60Hz	4x30.0	4x198	4x23.7	65.3	4/12	4	31.5	1 1/2	3.2	1	560x560	30.0	10400 20800	34.7	4/12	4	20x20x2 20x25x2	2x23.8 2x25.3	6750
6ACPSB 800P-HP	4	460-3-60Hz	5x25.6	5x167	5x19.1	94.0	4/12	4	31.5	1 1/2	3.2	1	630x630	40.0	13500 27000	45.1	4/12	4	20x20x2 20x25x2 25x25x2	4x25.3	7000
6ACPSB 890P-HP	5	460-3-60Hz	2x25.6 3x30.0	2x167 3x198	2x19.1 3x7	94.0	5/12	4	31.5	1 1/2	3.2	1	630x630	40.0	14000 28000	46.9	4/12	4	20x20x2 20x25x2 25x25x2	5x23.8	7100
6ACPSB 960P-HP	6	460-3-60Hz	6x25.6	6x167	6x19.1	94.0	5/12	4	31.5	1 1/2	3.2	1	630x630	40.0	14500 29000	48.6	4/12	4	20x20x2 20x25x2 25x25x2	6x16.0	7250
6ACPSB 1020P-HP	6	460-3-60Hz	4x25.6 2x30.0	4x167 2x198	4x19.1 2x23.7	123.0	4/12	6	31.5	1 1/2	3.2	1	710x710	40.0	16600 33300	55.6	4/12	12	20x20x2 20x25x2	4x16.0 2x23.8	8350
6ACPSB 1140P-HP	6	460-3-60Hz	6x30.0	6x198	6x23.7	123.0	5/12	6	31.5	1 1/2	3.2	1	710x710	40.0	19000 38300	63.9	4/12	20	20x25x2	4x23.8 2x25.3	9400
6ACPSB 1340P-HP	6	460-3-60Hz	6x25.6 2x30.0	6x167 2x198	6x19.1 2x23.7	129.0	5/12	6	31.5	1 1/2	3.2	1	800x800	50.0	21600 43300	72.2	4/12	8	20x20x2 20x25x2	6x25.3	10400
6ACPSB 1520P-HP	8	460-3-60Hz	8x30.0	8x198	8x23.7	129.0	5/12	6	31.5	1 1/2	3.2	1	800x800	50.0	21600 43300	72.2	5/12	8	20x20x2 20x25x2	6x23.8 2x25.3	11000

- Notes: 1.) Condenser fan motors voltage is 220/240-1-60Hz for model 30 to 50.
 2.) Blower motor for model 30 to 145 is 220/240-1-60Hz and direct drive.
 3.) Minimum-maximum voltage is 432V to 488V.

- 4.) LRA- Locked Rotor Amp.
 5.) NRA- Nominal Running Amp.
 6.) MRA- Maximum Running Amp.
 7.) FLA- Full Load Amp.
 8.) 6ACPRB 30P and 6ACPRB 40P are rotary compressors.

NOMENCLATURE



LIMITS AND CORRECTION FACTORS

OPERATING LIMITS

COOLING (AIR TEMPERATURE °F)

		DB	WB
INDOOR	MAX.	95	72
	MIN.	66	57
OUTDOOR	MAX.	125	-
	MIN.	66	-

HEATING (AIR TEMPERATURE °F)

		DB	WB
INDOOR	MAX.	80	-
	MIN.	-	-
OUTDOOR	MAX.	75	64
	MIN.	5	-

CORRECTION FACTORS

To correct for variation in air flow, use this multiplier.

AIR FLOW VARIATION	TOTAL CAPACITY	SENSIBLE CAPACITY
0.8	0.960	0.900
0.9	0.980	0.950
1.0	1.000	1.000
1.1	1.015	1.045
1.2	1.025	1.090

To correct for altitude, use this multiplier.

ALTITUDE ABOVE SEA LEVEL - FT	COOLING CAPACITY
0	1.00
2000	0.98
3000	0.97
4000	0.96
5000	0.95
6000	0.93
7000	0.92

To correct sensible capacity for varying dry bulb.

DRY BULB	WET BULB			
	57	62	67	72
75	0.84	0.81	0.78	0.74
80	1.00	1.00	1.00	1.00
85	1.16	1.18	1.21	1.26

Note: If The Capacity After Multiplying The Sensible With The Correction Factor Exceeds The Total Capacity, Then The Sensible Must Be Equal To The Total.

MANUFACTURER RESERVES THE RIGHT TO CHANGE SPECIFICATION OR DESIGN AT ANY TIME WITHOUT PRIOR NOTICE.

DUNHAM-BUSH®

Products That Perform...By People Who Care

04-07